

Intelligent

PTI20 SERIES

- Adjustable pressure ranges vacuum to 1,160 psig
- All ranges are user adjustable from vacuum to full scale with standard on board display
- 4 mA to 20 mA HART® optional pressure transmitter
- Accuracy $\pm 0.2\%$ of adjusted span
- 4:1 turn down
- All Stainless Steel construction with 316 Stainless Steel wetted parts
- Built to suppress RFI, EMI and ESD



APPLICATIONS

- General industrial
- Pulp & paper
- Water & wastewater
- Power generation
- Food & beverage

SPECIFICATIONS

Output signals	4 mA to 20 mA 2-wire, 4 mA to 20 mA 2-wire with HART®
Adjustable pressure ranges	5 psig to 1,160 psig (All ranges are user adjustable from vacuum to full scale)
Accuracy	$\pm 0.2\%$ of adjusted span (Turn down 4:1)
Stability	<0.1%/year
Adjustment	By 3 push buttons on display or optional HART® protocol
Response time	<100 ms
Service life	>10 years
Temperature ranges	Media -4 °F to 176 °F (-20 °C to 80 °C) Ambient -4 °F to 158 °F (-20 °C to 70 °C) Flange -4 °F to 212 °F (-20 °C to 100 °C)
Power requirement*	12 Vdc to 36 Vdc
Measuring element	316 Stainless Steel (Hastelloy C or Tantalum optional)
Connection	316 Stainless Steel
Housing material	304 Stainless Steel (316 Stainless Steel optional)
Environmental rating	IP66 (IP68 optional)
Electromagnetic rating	Built to suppress RFI, EMI and ESD protection
Weight	Approximately 3.30 lb. (Depending on process connection)

* Unregulated



This product can expose you to chemicals including Nickel, which is known to the State of California to cause cancer and birth defects or other reproductive harm. For more information go to www.P65Warnings.ca.gov

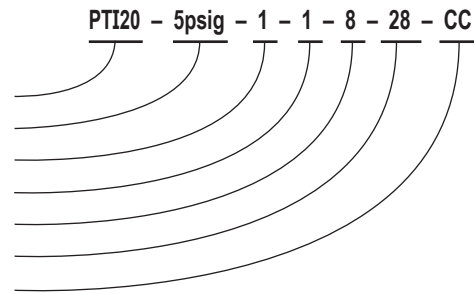
ORDERING INFORMATION			
SERIES	PTI20		
ADJUSTABLE PRESSURE RANGES	5psig Min. span 1.45 psi, max. span 5.8 psi (lowest vacuum pressure -5.8 psig) 20psig Min. span 5.8 psi, max. span 23 psi (lowest vacuum pressure -15 psig) 55psig Min. span 14.5 psi, max. span 58 psi (lowest vacuum pressure -15 psig)	145psig Min. span 29 psi, max. span 145 psi (lowest vacuum pressure -15 psig) 350psig Min. span 87 psi, max. span 350 psi (lowest vacuum pressure -15 psig) 1150psig Min. span 290 psi, max. span 1,160 psi (lowest vacuum pressure -15 psig)	psig = gauge pressure All ranges can be user scaled in vacuum or compound.
ACCURACY	1 ±0.2% of adjusted span (4:1 turndown)		
OUTPUT SIGNALS	1 4 mA to 20 mA, 2-wire	43 4 mA to 20 mA, 2-wire with HART®	
PROCESS CONNECTIONS	8 1/2" NPT male 69 1/2" NPT female 73 1" NPT male flush 74 1-1/2" NPT male flush	75 Threaded flush diaphragm for flange (flange not included) 76 1-1/2" ANSI 150# Flange 77 2" ANSI 150# Flange 78 3" ANSI 150# Flange	79 1" PMC connection 80 1-1/2" PMC connection
ELECTRICAL CONNECTIONS	25 M12 x 1 (4-pin)	28 1/2" NPT female	71 PG9 Cable Gland
OPTIONS	CC Certified Calibration	RMT-10 Remote Mount Head with 10 ft cable *	TC Transparent Cover (for display)

Please consult your local NOSHOK Distributor or NOSHOK, Inc. for availability and delivery information.

*Custom lengths available, consult factory. Includes mounting bracket.

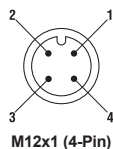
EXAMPLE

Series PTI20 Series
Adjustable pressure range Min. span 1.45 psi, max. span 5.8 psi
Accuracy ±0.2% of adjusted span
Output signal 4 mA to 20 mA, 2-wire
Process connection 1/2" NPT male
Electrical connection 1/2" NPT female
Option Certified Calibration



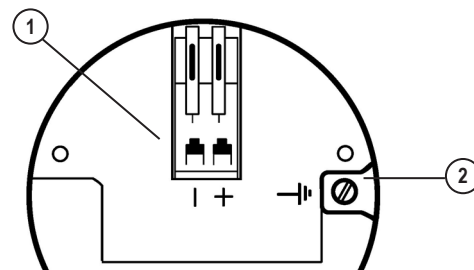
UNINSTALLED OPTIONS & ACCESSORIES			
PTI-FLANGE-15-150LB	1-1/2" ANSI 150# Flange only	PTI-15-PMC-WA	1-1/2" PMC Weld Adapter
PTI-FLANGE-20-150LB	2" ANSI 150# Flange only	PTI-PMC-GASKET-15	PTFE Gasket for 1-1/2" PMC
PTI-FLANGE-30-150LB	3" ANSI 150# Flange only	PTI-PMC-ORING-1	FKM O-Rings for 1" PMC
PTI-10-PMC-WA	1" PMC Weld Adapter	PTI-FLANGE-GASKET	PTFE Gasket for Flush diaphragm to Flange

Consult factory for availability.



M12 x 1 (4-PIN) WIRING

1	V+
2	Not used
3	V-
4	Not used

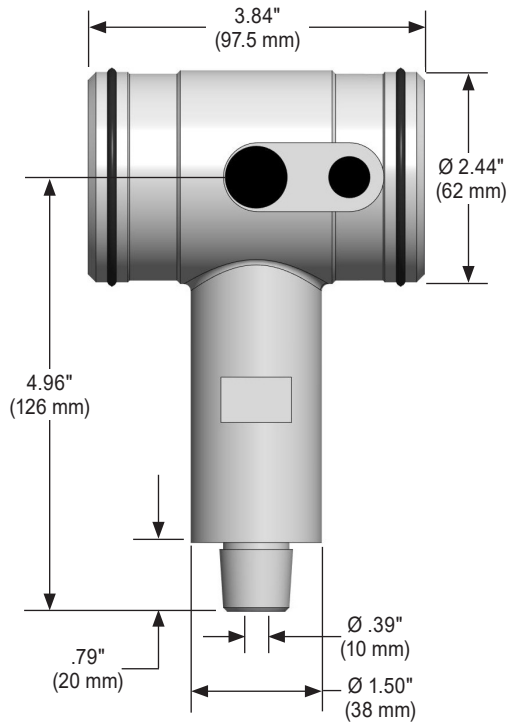


TERMINAL CONNECTION

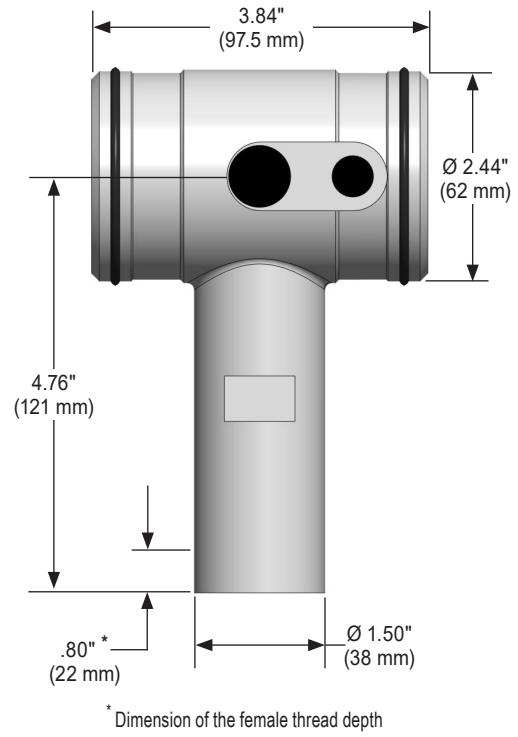
1	Voltage supply/Output signal (4 mA to 20 mA)
2	Internal Ground

Dimensions

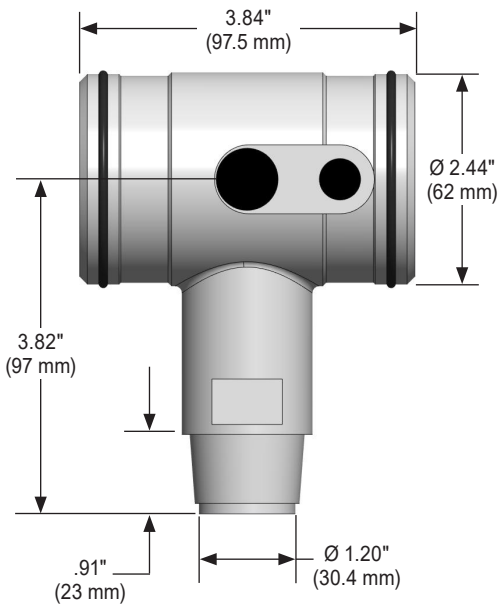
PTI20-8 (1/2" NPT Male)



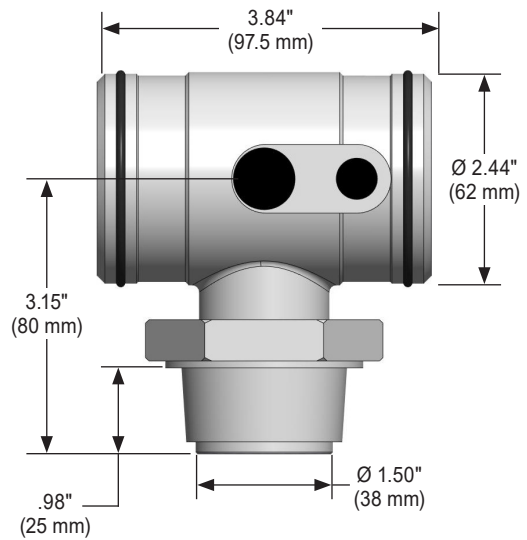
PTI20-69 (1/2" NPT Female)



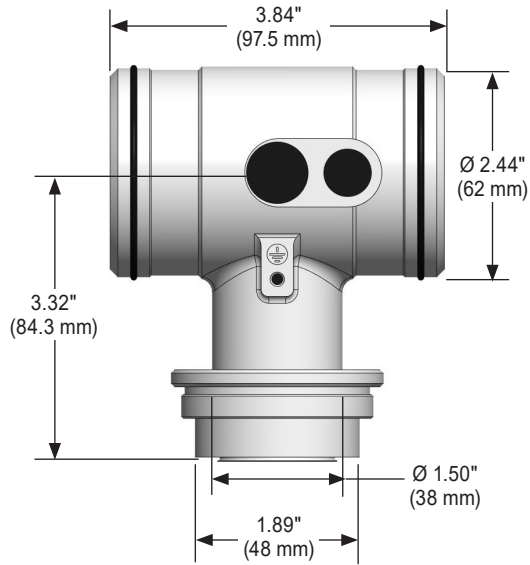
PTI20-73 (1" NPT Male)



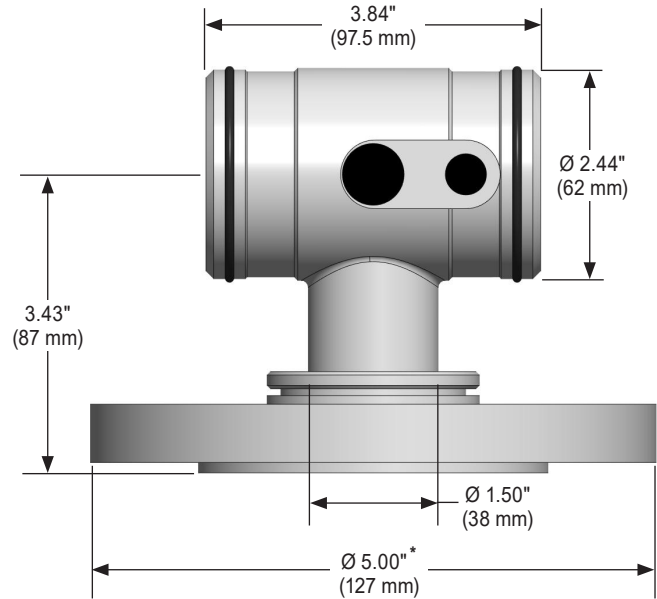
PTI20-74 (1-1/2" NPT Male)



PTI20-75 (Threaded Flush Diaphragm For Flange)



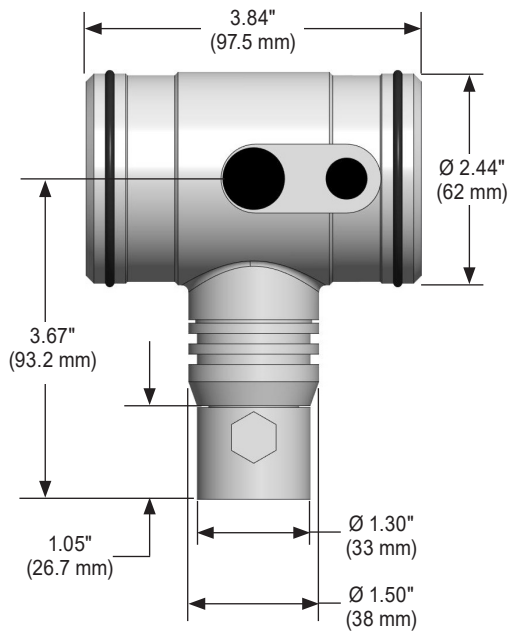
PTI20-76 (Flange)*



* Dimensions for PTI20-77 (Flange) Ø 6.00" (152 mm)

* Dimensions for PTI20-78 (Flange) Ø 7.50" (190 mm)

PTI20-79 (1" PMC)



PTI20-80 (1-1/2" PMC)

