



CEUS
E55826

Motor Auto-Restart Relay

- Monitors 120 VAC 50/60hz control voltage
- SPDT Output Relay, Pilot Duty B150, 360VAC 10 Amps @ 120 VAC resistive
- 8-pin and 11-pin plug-in models
- Adjustable under-voltage and restart delay settings
- Operating temperature of 0 deg C to 55 deg C

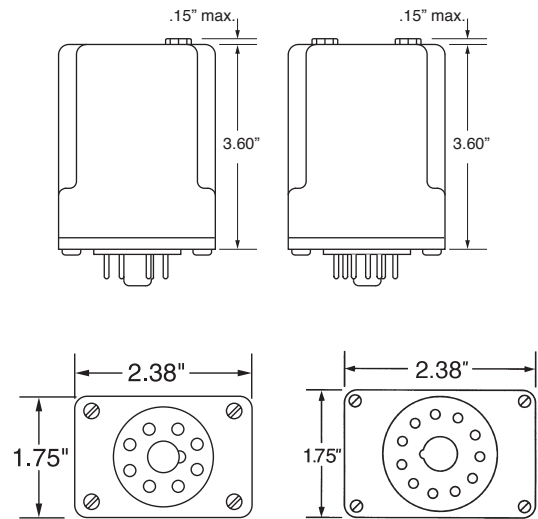
SPECIFICATIONS

CONTROL VOLTAGE	120 VAC 50/60 Hz
INPUT SPECIFICATIONS	Under Voltage: 92 VAC Factor Preset (70-100 VAC Internal Adjust) Restart Voltage: 102 VAC Factor Preset (10 VAC \pm 10% Above U.V.)
OUTPUT	SPDT Relay, Pilot Duty B150, 360 VA 10 Amps @ 120 VAC Resistive 30,000 Operations Electrical @ Full Load
POWER REQUIRED	3 VA Max
TEMPERATURES	Operate: 0°C to 55°C Storage: -45°C to 85°C
ENCLOSURE	Style Extended "A" LEXAN® Dust Cover
TERMINATIONS/ FUNCTION	8 Pin Plug-in (Model AAA) 8 Pin Plug-in with OL Relay L2 Disconnect Feature (Model ABA) 11 Pin Plug-in (Model ACA) 11 Pin Plug-in with OL Relay L2 Disconnect Feature (Model ADA)

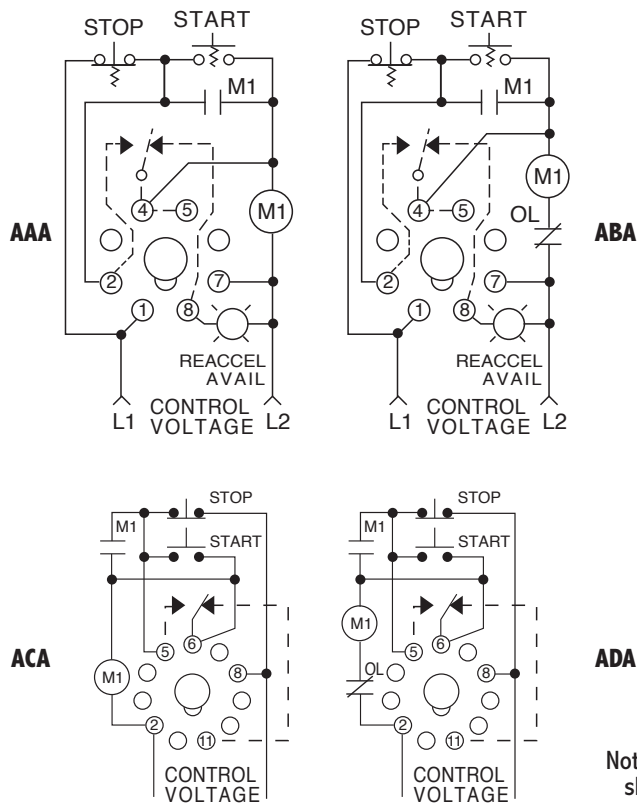
OPERATION

The MAR Series provides automatic restart to a motor. This unit is designed to bypass the start switch to re-energize the M1 starter coil following a momentary drop or interruption of the control voltage. When the control voltage drops below the under-voltage trip point and the motor is running, the under-voltage delay begins. If the control voltage returns above the restart voltage point before the under-voltage delay expires, the adjustable restart delay begins. Upon expiration of the restart delay, the internal relay energizes for the duration of the output interval providing a restart. If the control voltage remains for longer than the under-voltage time delay or the motor was not initially running when the control voltage failed, the unit will not restart the motor after the restoration of power. Instead, a manual restart is required. This relay distinguishes between control voltage failures and stops pushbutton operations. A stop pushbutton operation de-energizes the output relay and terminates the timing sequences preventing an automatic restart.

DIMENSIONS



WIRING



Note: Wiring must be exactly as shown for proper operation

ORDERING INFORMATION

MODEL NUMBER	MAR 120		Delay Range
CONTROL VOLTAGE			
120 VAC 50/60 HZ	120		
TERMINATIONS/FUNCTION			
8 Pin Plug-in	AAA		D
8 Pin Plug-in with OL Relay L2 Disconnect Feature	ABA		D
11 Pin Plug-in	ACA		A or C
11 Pin Plug-in with OL Relay L2 Disconnect Feature	ADA		B
DELAY RANGE DESCRIPTIONS			
A — U.V. 0.2 to 6.0 sec, Restart Delay 0.2 to 60 sec. Restart Output Interval - Continuous			
B — U.V. 0.2 to 6.0 sec, Restart Delay 0.2 to 60 sec. Restart Output Interval - 5.0 sec (fixed)			
C — U.V. 0.2 to 10.0 sec, Restart Delay 0.2 to 60 sec. Restart Output Interval - 1.0 sec (fixed)			
D — U.V. 4.0 sec (fixed), Restart Delay 2.0 to 120 sec. Restart Output Interval - 5.0 sec (fixed)			

Under voltage screwdriver adjustable ranges $\pm 10\%$
 Restart delay screwdriver adjustable ranges $\pm 10\%$
 Under voltage and restart output interval fixed ranges $\pm 10\%$