

Stainless Steel Horizontal Float Switches Series: FS-500



Series FS-500 Stainless Steel Horizontal Float Switches are durable, versatile float switches with a wide range of usage and applications. Three fitting configurations and two temperature ranges, all carrying NSF 169 and CSA approvals, make the Series FS-500 an easy choice for OEM, water and wastewater, and chemical applications. With their compact size, all stainless steel wetted materials, and reversible switch orientation, FS-500 switches are go-anywhere, use-everywhere switches.

Features

- Compact size
- Reliability/long switch life
- Shock resistive construction
- Can be used in a wide range of liquids
- Operating temperatures up to 500° F (260° C)
- Switch rated for 100 W
- NSF 169 certified
- CSA Explosion Proof (Standard Temp) and General Use (High Temp)



FS-500 Specifications

Series

FS-500

Model

FS-500-S...P1P1
FS-500-S...P1P0

FS-500-HT...P1P1
FS-500-HT...P1P0

FS-500-S...P58

FS-500-HT...P58

Performance

Pressure Rating	300 psi (20.7 bar)	100 psi (6.9 bar)
Minimum S.G.	0.6	
Actuation Angle	10° ± 3°	
Hysteresis	8° ± 1°	

Environmental

Operating Temp.	-40° to 368°F (-40° to 187°C)	-40° to 500°F (-40° to 260°C)	-40° to 368°F (-40° to 187°C)	-40° to 500°F (-40° to 260°C)
Liquids	Chemicals, Food, Potable Water			

Electrical

Switch Rating				
Max Capacity	100 W (resistive load only)			
Max Current (AC, 50/60 Hz)	240 VAC: 0.416 A; 120 VAC: 0.833 A; ≤ 100 VAC: 1 A			
Max Current (DC)	120 VDC: 0.833 A; ≤ 100 VDC: 1 A			
Life Expectancy	10 ⁶ - 10 ⁸ (# of actuations; dependant on electrical load)			
Lead Wires	#22 AWG, Teflon 24 - 99 in. (610 - 2515 mm)			

Physical

Material				
Stem	316L SS			
Float	316L SS			
Retainer	316L SS			
Mounting	Horizontal			

Certification

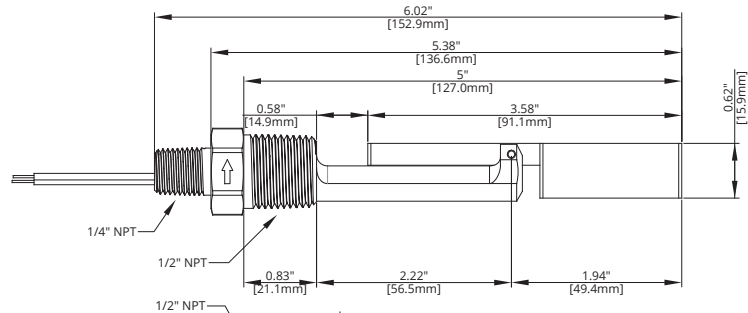
CSA/cCSAus Contract #237484	Explosion Proof	General Use
	Class I, Div. 1 & 2, Groups A, B,C, & D, T3	--
	Class II, Div. 1, Groups E, F, T200°C	--
	Class II, Div. 2, Groups F, G, T200°C	--
	Class III	--
	Ta -40° C to 187° C	--
	Single Seal	Single Seal
NSF 169	Yes	Yes
Enclosure Rating	NEMA 4X	--

Common Model Configurations

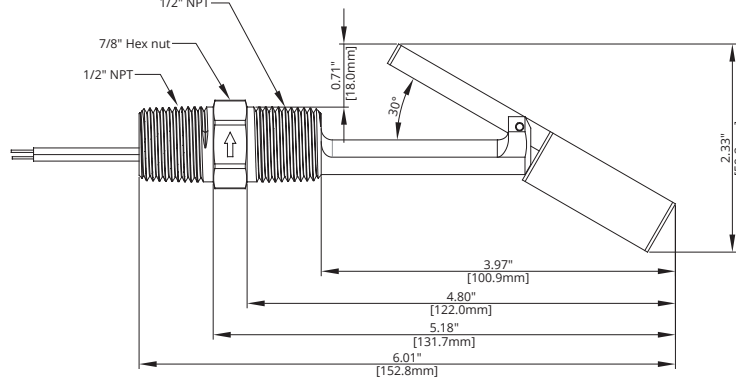
Model Number

Model Description

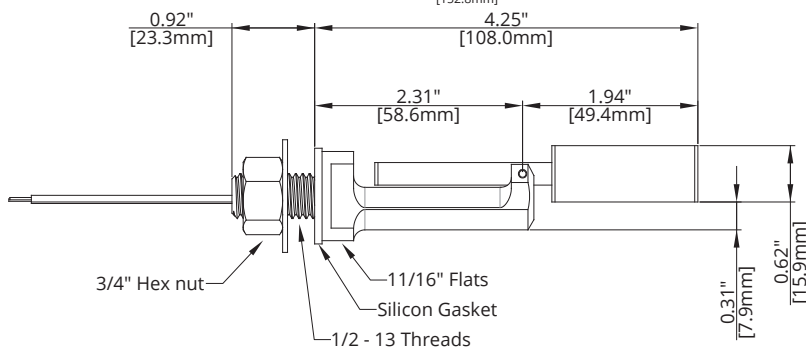
FS-500-S-M1-M1-0.6-P1P1-24	Stainless Steel Stem and Float, Standard Temperature , 0.6 SG, 1/2"-1/2" NPTM, 24" Wires
FS-500-HT-M1-M1-0.6-P1P1-24	Stainless Steel Stem and Float, High Temperature , 0.6 SG, 1/2"-1/2" NPTM, 24" Wires
FS-500-S-M1-M1-0.6-P1P0-36	Stainless Steel Stem and Float, Standard Temperature , 0.6 SG, 1/2"-1/4" NPTM, 36" Wires
FS-500-HT-M1-M1-0.6-P1P0-36	Stainless Steel Stem and Float, High Temperature , 0.6 SG, 1/2"-1/4" NPTM, 36" Wires
FS-500-S-M1-M1-0.6-P58-48	Stainless Steel Stem and Float, Standard Temperature , 0.6 SG, Bulkhead, 48" Wires
FS-500-HT-M1-M1-0.6-P58-48	Stainless Steel Stem and Float, High Temperature , 0.6 SG, Bulkhead, 48" Wires



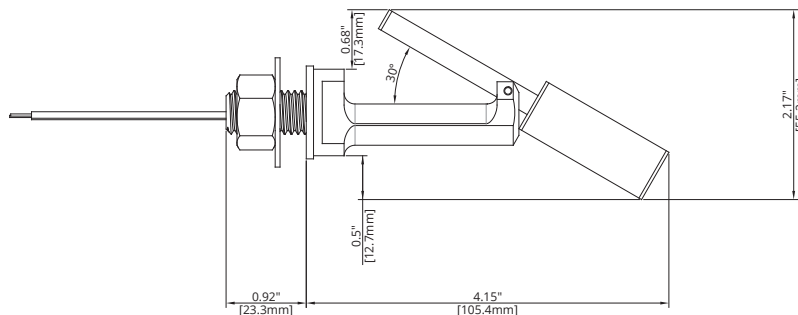
FS-500...P1P0 (closed)



FS-500...P1P1 (open)



FS-500...P58 (closed)



FS-500...P58 (open)

Model Configuration Options



Model Number: FS-500 - $\frac{\quad}{A}$ - $\frac{M1}{B}$ - $\frac{M1}{C}$ - $\frac{0.6}{D}$ - $\frac{\quad}{E}$ - $\frac{\quad}{F}$

A. Operating Temperature

- S**▲ Standard Range (-40 - 187°C)
- HT** High Temperature Range (-40 - 260°C)*

B. Stem Material

- M1**▲ 316 Stainless Steel

C. Float Material

- M1**▲ 316 Stainless Steel

D. Float Specific Gravity

- 0.6**▲ 0.6 Specific Gravity

E. Fitting Types (Inner - Outer)

- P1 P1**▲ 1/2" NPTM - 1/2" NPTM
- P1 P0** 1/2" NPTM - 1/4" NPTM
- P58** Bulkhead*

F. Wire Length

- _** Wire Length in Inches (24 - 99)

Note: *Indicates this option is only available with CSA General Purpose ratings.

FS-500 Replacements / Accessories

Please order separately, by part number.

Description	Part Number
316 SS 3/4" Hex nut for FS-500...P58; Quantity 5	200343
316 SS washer for FS-500...P58; Quantity 5	200344
NSF Silicon Gasket for FS-500...P58; Quantity 5	200345