



The **CDO Series** is used to detect **OVER CURRENT** conditions. The internal relay energizes (Pick-up) when the monitored current exceeds the preset trip point for longer than the adjustable time delay. The delay is incorporated to prevent nuisance tripping caused by inrush currents. The CDO has an automatic reset feature. The internal relay de-energizes (Drop-out) when the current drops 5% below the preset trip for longer than 0.2 seconds.

DC Over Current Monitor

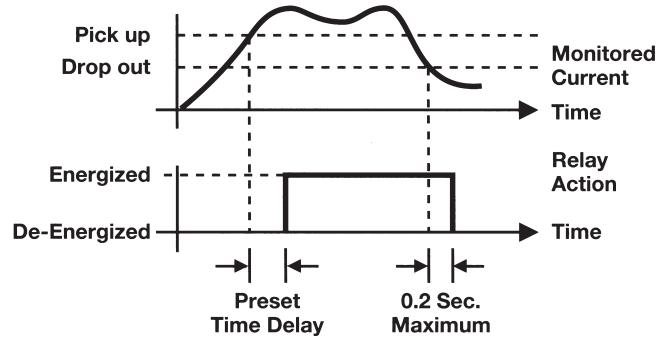
SPECIFICATIONS

CONTROL VOLTAGE	120 VAC, 50/60 Hz	
TRIP POINTS	Over Current	
	Pick-up	See order information
	Drop-out	5% below Pick-up
OUTPUT	SPDT, 10 Amps @ 240 VAC Resistive	
HYSTERESIS	5%	
RESPONSE TIME	Operate	0.2 to 10 SEC, Adjustable
	Release	0.2 SEC.
INDICATORS	Trip (Red)	Glow On Over Current
	Relay (Green)	Glow when Relay is energized
RESET	Automatic	
TEMPERATURE RATING	Operate	32° to 131°F (0° to +55°C)
	Storage	-49° to 185°F (-45° to +85°C)
ENCLOSURE	Lexan Surface Mounted; #8-32 Screw Terminals	
WEIGHT	17 oz.	

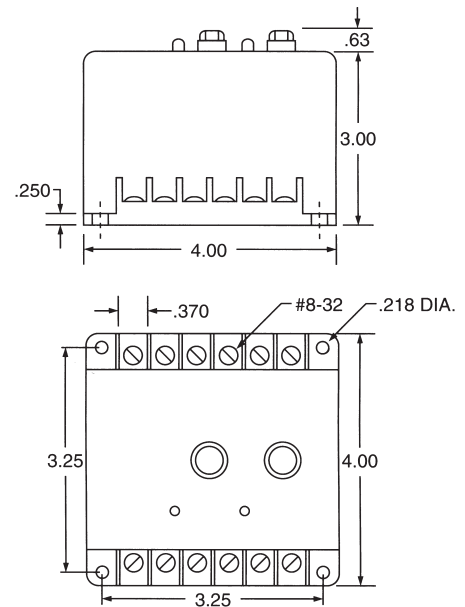
MODEL NUMBER

MODEL NUMBER	CDO	120	A	L	E	
CONTROL VOLTAGE	120 Volts					
TYPE OF VOLTAGE	AC		A			
ADJUSTMENT	Lockshaft			L		
FEATURES						
	0.2 to 1 amp adj.					1
	0.5 to 2.5 amps adj.					2.5
	1.0 to 5.0 amps adj.					5
	2.0 to 10 amps adj.					10
	4.0 to 20 amps adj.					20

CDO



DIMENSIONS (INCHES)



WIRING

