

SERIES AI25 DeviceNet **HENGSTLER**

Absolute Encoder

Key Features

- Up to 14 Bit of Singleturn and 12 Bits of True Multiturn Absolute Positioning
- Onboard Diagnostics
- DeviceNet Interface
- Available with Multiple Shaft Configurations
- Enclosure ratings of IP64 or IP67



SPECIFICATIONS

STANDARD OPERATING CHARACTERISTICS:

Code: Absolute, Optical
Resolution Single-turn: 10-14 Bit
Resolution Multi-turn: 12 Bit
Linearity: ± 1/2 LSB
Absolute Accuracy: ± 0.01° mechanical (36 arc-sec.)
Repeatability: ± 0.002° mechanical (7.2 arc-sec.)

ELECTRICAL:

Protocol: According to DeviceNet V2.0
Interface: CAN Highspeed according to ISO/ DIS 11898, CAN Specification 2.0 B (11 and 29 bit identifier)
Output Code: Binary
Input Power: 10-30 VDC
Intrinsic Current Consumption: 220 mA (ST), 250 mA (MT)
Transfer Mode:
 Poll mode
 Bit strobe (time-synchronous for all devices)
 Change of State (automatic after change of values)
 Cyclic, with adjustable cycle timer
Frequency Response (Baud Rate): 125, 250, 500 kbaud
Noise Immunity: Tested to EN 61326-1
Electrical Immunity: Tested to EN 61326-1
Termination: Bus Cover with spring terminal clamps

MECHANICAL:

Shaft Diameter: 6 mm (Servo Mount), 10 mm (Clamping Mount), 3/8" (Square Flange Mount),
Hubshaft: 10mm, 12 mm, 3/8", 1/2"
Shaft Load (axial/radial): 40N (9lb.) / 60N (13lb.)
Shaft Tolerance (hubshaft only): +/- 1.5 mm axial, +/- 0.2 mm radial
Maximum Shaft Speed: 10,000 RPM (continuous), 12,000 RPM (peak)
Starting Torque: < 1.4 in-oz
Weight (approx.): 350 g ST, 400 g MT
Housing Material: Aluminum
Shaft Material: Stainless Steel
Disc Material: Glass
Weight:
 Single-Turn: approx. 12.3 oz (350 g)
 Multi-Turn: approx. 14.1 oz. (400 g)

ENVIRONMENTAL:

Operating Temperature: -40 °C ...+85 °C
Storage Temperature: -40 °C ...+100 °C
Shock: 1,000 m/s² for 6 msec
Vibration: 100 m/s² (10 to 2,000 Hz)
Humidity: Up to 75%, (no condensation allowed)
Enclosure Rating: IP64 or IP67



Headquarters: 1675 Delany Road • Gurnee, IL 60031-1282 • USA

Customer Service:
 Tel.: +1.800.873.8731
 Fax: +1.847.662.4150
 custserv@dynapar.com

Technical Support
 Tel.: +1.800.234.8731
 Fax: +1.847.662.4150
 dynapar.techsupport@dynapar.com

European Sales Representative
 Hengstler GmbH
 Umlandstrasse 49, 78554 Aldingen
 Germany
 www.hengstler.com

Ordering Information

To order, complete the model number with code numbers from the table below:

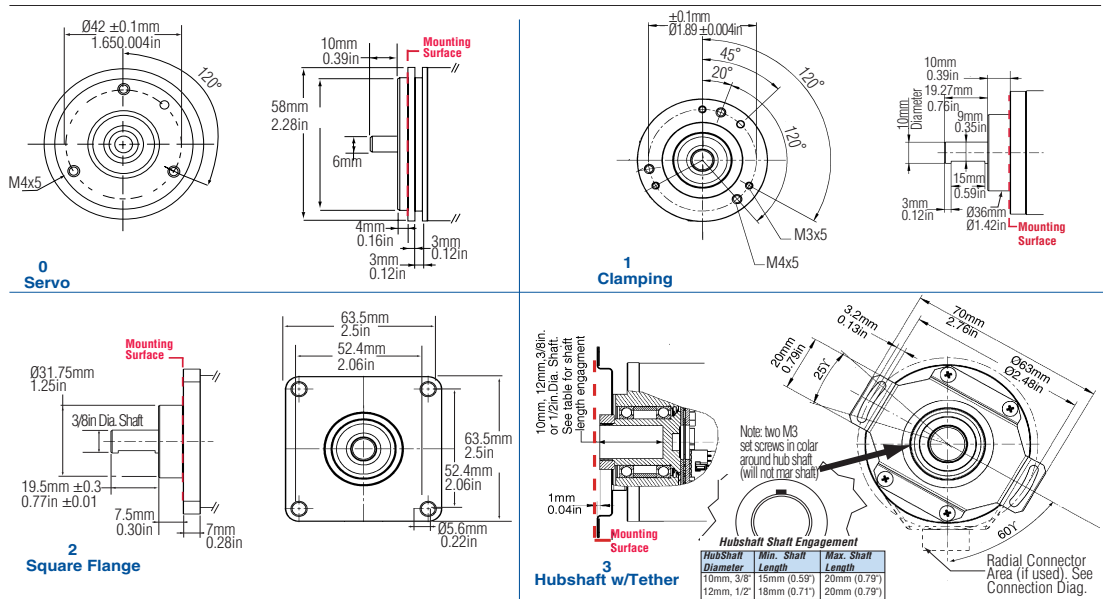
Code 1: Model	Code 2: Resolution	Code 3 :Mounting	Code 4: Shaft Size	Code 5: Interface	Code 6: Output	Code 7: Termination
AI25	<input type="checkbox"/> <input type="checkbox"/> <input type="checkbox"/> <input type="checkbox"/>	<input type="checkbox"/>	<input type="checkbox"/>	<input type="checkbox"/>	<input type="checkbox"/>	<input type="checkbox"/>
AI25 Size25 Absolute Encoder	0010 10 Bit ST	Available when Code 4 is 0 or A	w/o shaft seal (IP64) 0 6 mm 1 3/8" 2 10 mm 3 3/8" Hubshaft 4 12 mm Hubshaft 5 1/2" Hubshaft 6 10mm Hubshaft	9 Devicenet	2 10-30 VDC	F Bus Cover 1 M12, 5-Pole Connector
	0012 12 Bit ST					
	0013 13 Bit ST					
	0014 14 Bit ST					
	1212 12 Bit MT 12 Bit ST	Available when Code 4 is 1, 2 or B, C				
1213 12 Bit MT 13 Bit ST						
1214 12 Bit MT 14 Bit ST	Available when Code 4 is 3, 4, 5 or 6	w/ shaft seal (IP67) A 6 mm B 3/8" C 10 mm				
	3 Hubshaft w/ Tether†					
		* 58mm Dia. ** 2.5" Square † 63mm BC				L Bus Cover 2 Strain Relief Exits. Internal T-coupler included

ACCESSORY

Part Number: 3 280 220 + length: TPE cable, 12-core + screen Price: CF

DIMENSIONS

Code 3: Mounting



Code 7: Connector

