

## Standard, Hard Seat

## 400 SERIES



- 100% helium leak tested to  $1 \times 10^{-4}$  ml/s for guaranteed performance and reliability
- 10,000 psi pressure rating @ 200 °F
- Blow-out proof stem provides a secondary stem seal in the full open position
- FKM o-ring seal and PTFE back-up ring below the stem threads to protect from corrosion and galling; PTFE or Grafoil® packing optional (certain NPT sizes only)
- All stems are 316 stainless steel
- All stem threads are rolled for strength and ease of operation
- One-piece bonnet with a metal-to-metal seal to the valve body below the bonnet threads
- Slotted spring pin to prevent accidental loosening
- Vinyl dust cap for bonnet and stem (non-packing)

## SPECIFICATIONS

<b>Materials</b>	Zinc-nickel plated steel, electropolished 316 stainless steel
<b>Connections</b>	1/4", 3/8", 1/2", 3/4", 1", 1-1/4" & 1-1/2" NPT 7/16"-20 UNF (#4 SAE, J1926) Male-female, Female-female, in-line and angled configurations
<b>Pressure rating*</b>	10,000 psi @ 200 °F
<b>Orifice sizes</b>	1/4" - 1/2" NPT: 0.187" 3/4" - 1-1/2" NPT: 0.438"
<b>Flow coefficient</b>	1/4" - 1/2" NPT: $C_v$ 0.44 3/4" - 1-1/2" NPT: $C_v$ 2.70
<b>Stem seal &amp; type</b>	All 316 stainless steel stems with FKM o-ring and PTFE back-up ring below the threads, PTFE or Grafoil® packing optional for 1/4", 3/8" & 1/2" NPT only
<b>Options</b>	Panel mountings, o-ring materials, handles, packings, regulating stem and stem tips

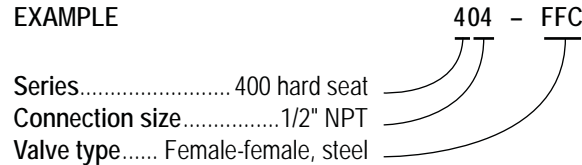
\* If a packing option is chosen, maximum pressure rating is 6,000 psi. Refer to the "Pressure vs. Temperature: Packing Style with Compatible Fluid" chart at the back of this catalog.

NOTE: All NOSHOK valve products conform to the MSS SP-99 instrument valves standards, and valves supplied with packing also conform to MSS SP-132 compression packing systems for instrument valves standard.

ORDERING INFORMATION				
<b>SERIES</b>	4 400 Series, hard seat			
<b>CONNECTION SIZES</b>	02	1/4" NPT	06	3/4" NPT
	03	3/8" NPT	08	1" NPT
	04	1/2" NPT	10	1-1/4" NPT
<b>VALVE TYPES</b>	MFC	Male-Female, Steel	MFS	Male-Female, Stainless Steel
	FFC	Female-Female, Steel	FFS	Female-Female, Stainless Steel
	MFAC	Male-Female Angle, Steel	MFAS	Male-Female Angle, Stainless Steel
	FFAC	Female-Female Angle, Steel	FFAS	Female-Female Angle, Stainless Steel

Please consult your local NOSHOK Distributor or NOSHOK, Inc. for availability and delivery information.

**EXAMPLE**



To meet all of your specific application requirements, the following additional options are available for these needle valves. To order all or any of these options, simply add them to the part number as shown in the diagram below.

**NOTE 1:** The example shown includes ALL possible additional options. Please include ONLY the options required for your application when building your part number. (EXAMPLE: 404-FFC-PM2)

**NOTE 2:** When a packing option is selected, an o-ring option is NOT available.

**NOTE 3:** Packing options are NOT available on 3/4" NPT through 1-1/2" NPT valves.

ORDERING INFORMATION - Additional Options				
<b>PACKINGS†</b>	P1	PTFE	P2	Grafoil®
<b>STEM TIPS</b>	T1	Non-rotating (316 stainless)	T6	Ball (carbide)
	T5	Ball (440C stainless)	T7	Ball (ceramic)
<b>O-RINGS*</b>	EM1	EPDM	KZ1	FFKM (Kalrez® 3018 or equivalent)
			NB1	NBR
<b>PANEL MOUNTINGS</b>	PM1	Panel mount (1 nut)	PM2	Panel mount (2 nuts)
<b>HANDLES</b>	HL4	1-3/8" Phenolic	HL5	1-3/4" Phenolic
			HL9	2-3/8" Phenolic**

Please consult your local NOSHOK Distributor or NOSHOK, Inc. for availability and delivery information.

† For 1/4", 3/8" and 1/2" NPT only. If a packing option is chosen, maximum pressure rating is 6,000 psi. Refer to the "Pressure vs. Temperature: Packing Style with Compatible Fluid" chart at the back of this catalog.

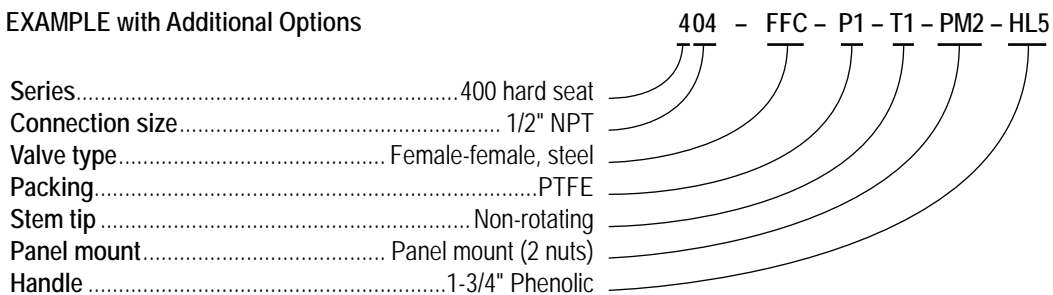
\* Other o-ring materials available on request.

\*\* For 3/4" NPT to 1-1/2" NPT only.

The standard o-ring in all the NOSHOK valves is FKM and the standard handles are "T" handles (HL2).

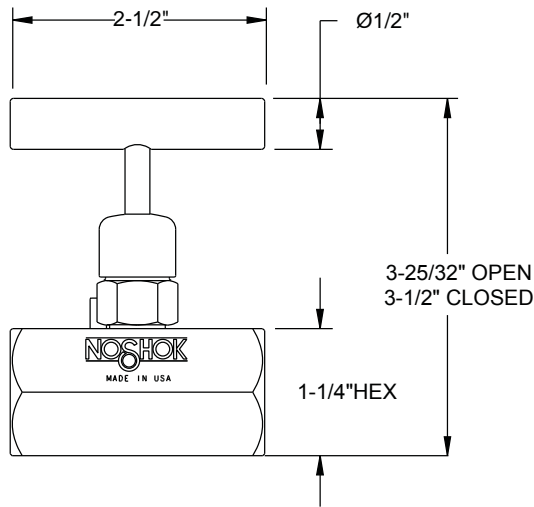
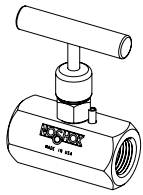
The handle material will always match the material of the valve, unless otherwise specified. For example, the "T" handle (HL2) on the 404-FFC will be steel. When only the standard configuration is needed, no additional designations are necessary. Please consult the factory for special application requests.

**EXAMPLE with Additional Options**

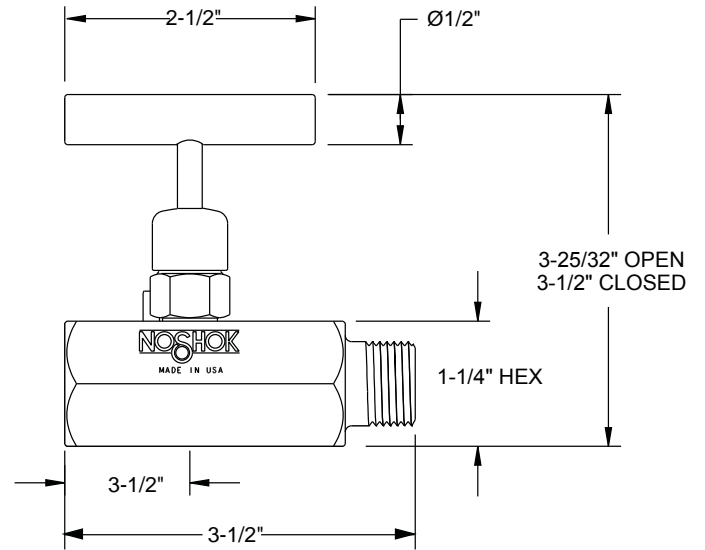
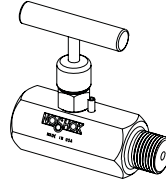


# Dimensions

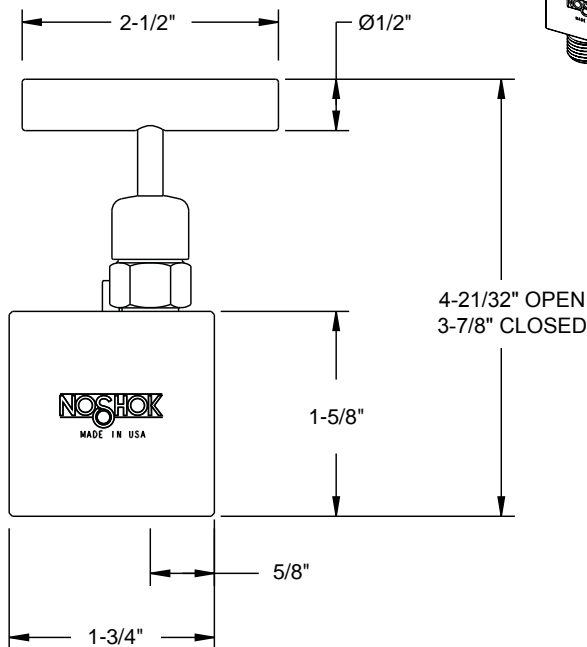
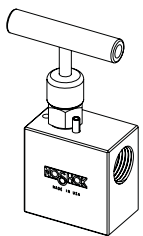
## 1/4" -1/2" Female-Female



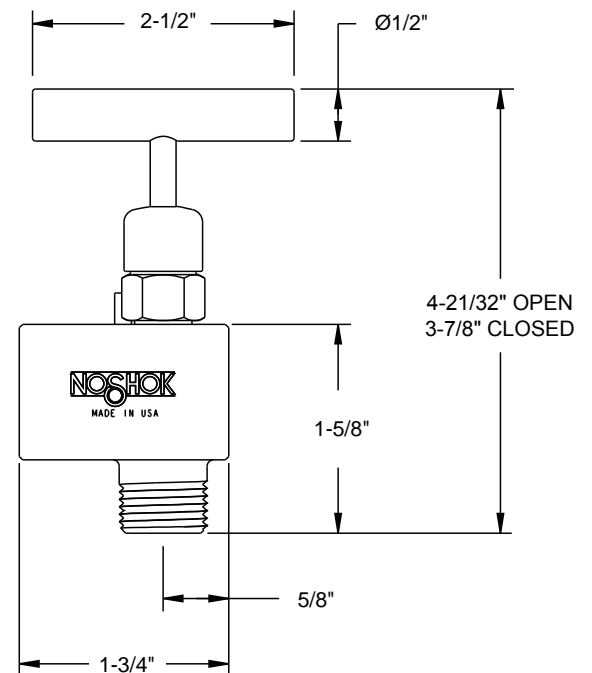
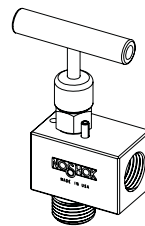
## 1/4" -1/2" Male-Female



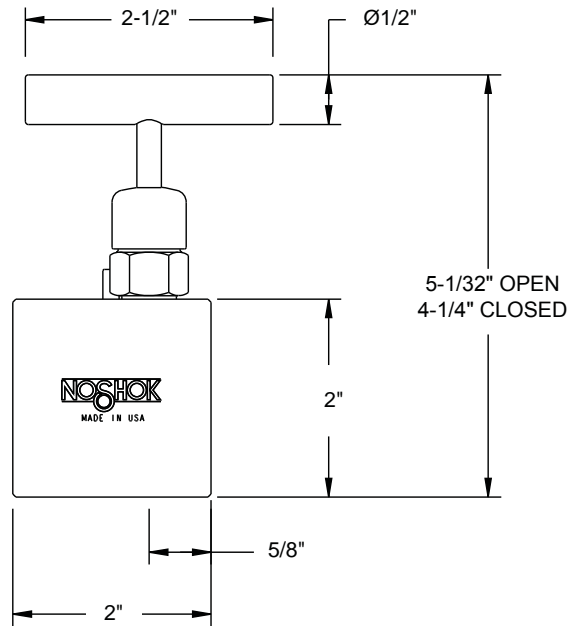
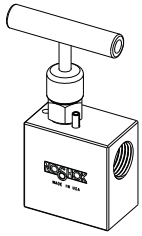
## 1/4" Female-Female Angle



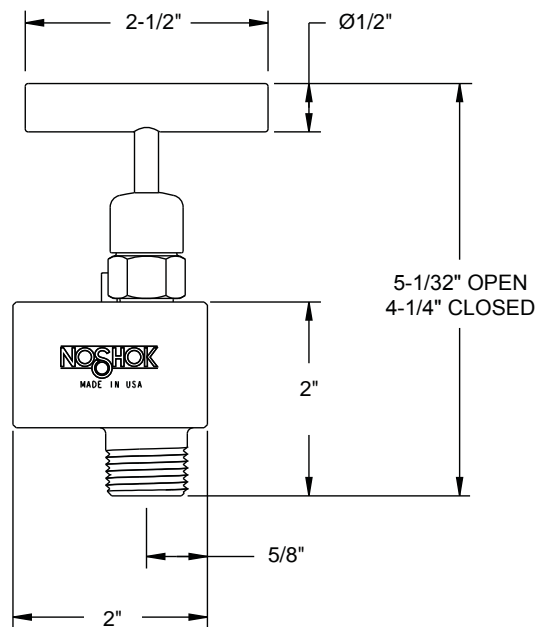
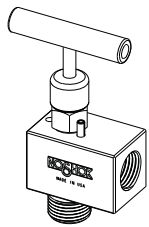
## 1/4" Male-Female Angle



1/2" Female-Female Angle

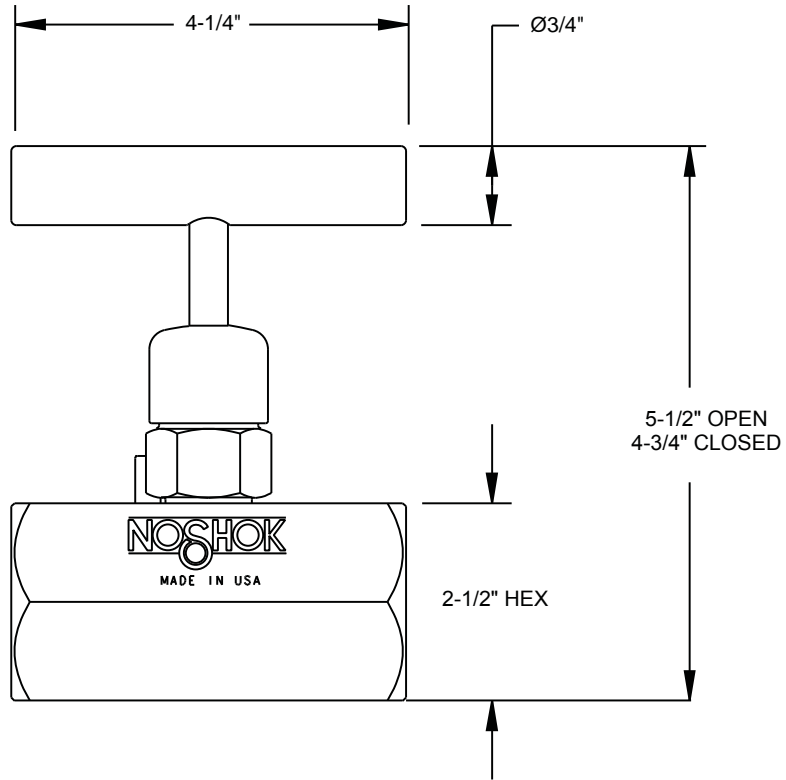
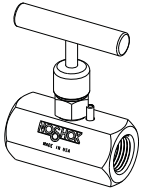


1/2" Male-Female Angle

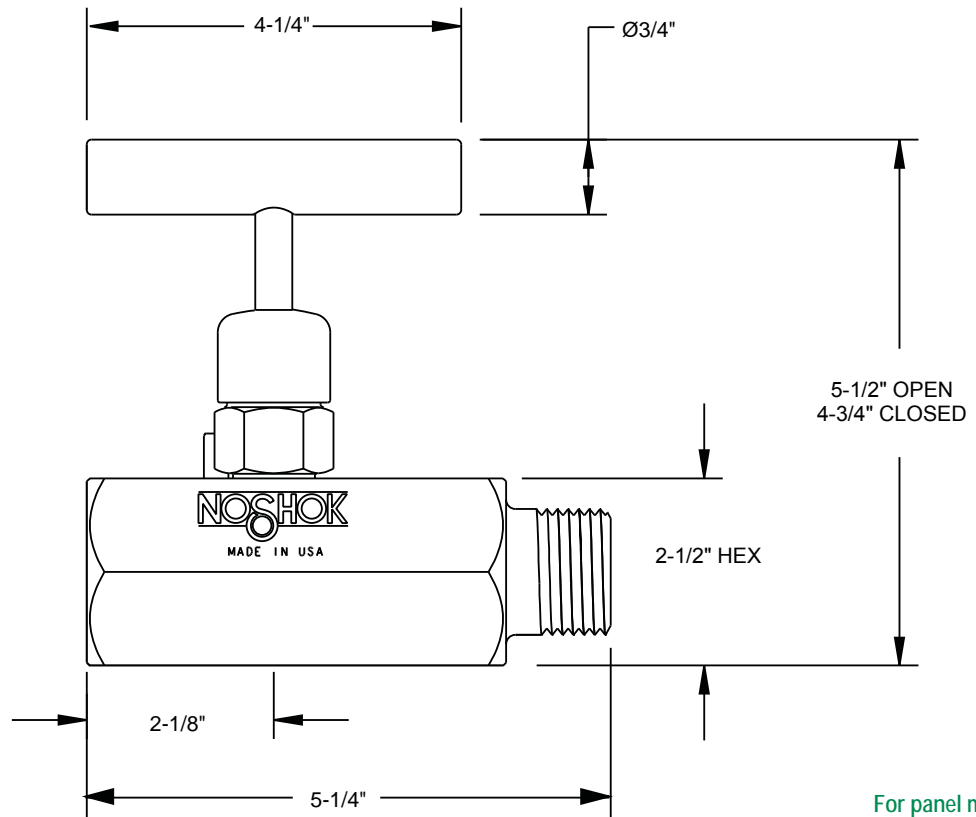
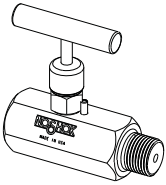


# Dimensions

## 3/4" - 1-1/2" Female-Female



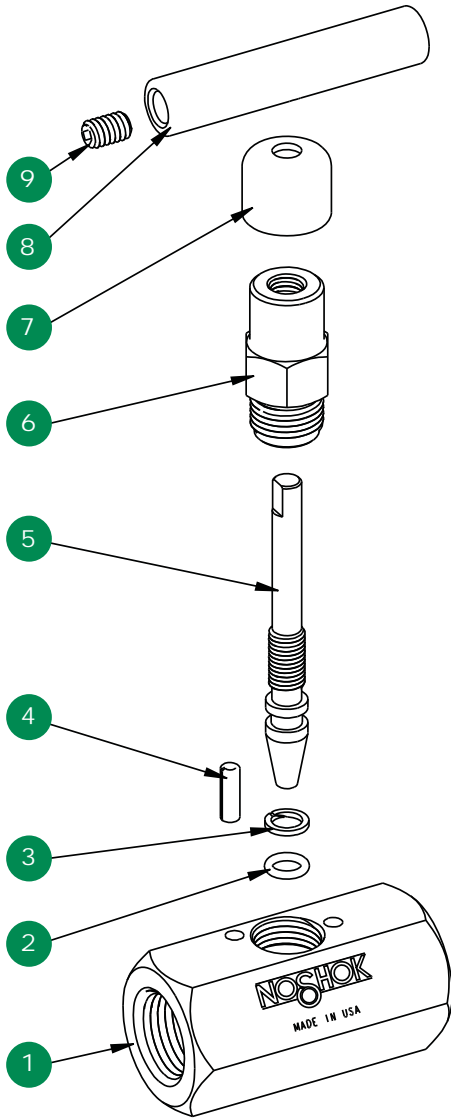
## 3/4" - 1-1/2" Male-Female



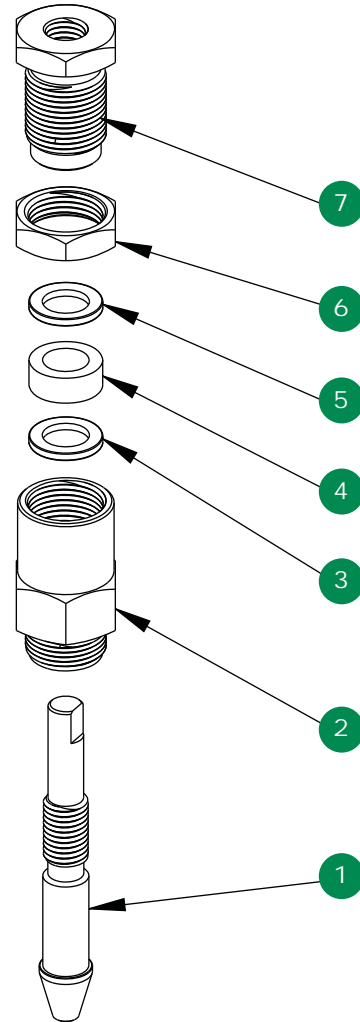
For panel mount, packing,  
& stem tip dimensions,  
see pgs. 64-67.

Standard, Hard Seat

Option With Packing



- 1 Valve body
- 2 FKM o-ring
- 3 PTFE back-up ring
- 4 Slotted spring pin
- 5 Valve stem
- 6 Valve bonnet
- 7 Dust cap
- 8 Valve "T" handle
- 9 Set screw



- 1 Valve packing stem
- 2 Valve packing bonnet
- 3 Packing washer
- 4 Packing
- 5 Packing washer
- 6 Jam nut
- 7 Packing adjustment screw