

# Multiport, Soft Seat

## 300 SERIES



Note: Shown with optional bleed plug.

- Multiport design reduces the number of gauge and other instrument connections to permanent piping installations, decreasing possible leak paths
- Optional bleed plugs further allow pressure to be bled off without disturbing the permanent piping installation
- 100% helium leak tested to  $1 \times 10^{-4}$  ml/s for guaranteed performance and reliability
- 6,000 psi pressure rating @ 200 °F
- Replaceable Delrin® seat and straight through porting for bidirectional, high capacity flow and easy roddable cleaning
- PCTFE or PEEK soft seat optional
- Blow-out proof stem provides a secondary stem seal in the full open position
- FKM o-ring seal and PTFE back-up ring below the stem threads to protect from corrosion and galling; PTFE packing optional
- All stems are 316 stainless steel
- All stem threads are rolled for strength and ease of operation
- One-piece bonnet with a metal-to-metal seal to the valve body below the bonnet threads
- Slotted spring pin to prevent accidental loosening
- Vinyl dust cap for bonnet and stem (non-packing)

### Multiport Valve Accessories



Bleed Plug,  
see pg. 65 for details.



Multiport Plug,  
see pg. 65 for details.



Bleed Valve  
See pg. 48 for details.

### SPECIFICATIONS

Materials	Zinc-nickel plated steel, electropolished 316 stainless steel*
Connections	1/2" NPT to 3/4" NPT Male-female Straight through porting for bidirectional, high capacity flow
Pressure rating	6,000 psi @ 200 °F
Orifice size	0.187"
Flow coefficient	$C_v$ 0.64
Stem seal & type	All 316 stainless steel stems with FKM o-ring and PTFE back-up ring below the threads, PTFE packing optional
Options	Panel mountings, o-ring materials, handles, packings, regulating stem and stem tips
Weight	Approximately 2.2 lb.

\* All 316SS products meet the requirements of NACE MR0175/ISO 15156-3.

NOTE: All NOSHOK valve products conform to the MSS SP-99 instrument valves standards, and valves supplied with packing also conform to MSS SP-132 compression packing systems for instrument valves standard.

ORDERING INFORMATION	
SERIES	3 300 Series, soft seat
CONNECTION SIZES	04 1/2" NPT                      0604 3/4" NPT male - 1/2" NPT female
VALVE TYPES	MFC Male-Female, Steel                      MFS Male-Female, Stainless Steel

Please consult your local NOSHOK Distributor or NOSHOK, Inc. for availability and delivery information.

**EXAMPLE**

**304 - MFC**

Series..... 300 soft seat     

Connection size..... 1/2" NPT     

Valve type..... Male-female, steel     

To meet all of your specific application requirements, the following **additional options** are available for these needle valves. To order all or any of these options, simply add them to the part number as shown in the diagram below.

**NOTE 1:** The example shown includes **ALL** possible additional options. Please include **ONLY** the options required for your application when building your part number. (EXAMPLE: 304-MFC-HL5)

**NOTE 2:** When a packing option is selected, an o-ring option is NOT available.

ORDERING INFORMATION - ADDITIONAL OPTIONS			
SOFT SEATS	PK1 PEEK	KF1 PCTFE	
PACKING	P1 PTFE		
STEM TIP	T1 Non-rotating (316 stainless)		
O-RINGS*	EM1 EPDM	KZ1 FFKM (Kalrez® 3018 or equivalent)	NB1 NBR
PANEL MOUNTINGS	PM1 Panel mount (1 nut)	PM2 Panel mount (2 nuts)	
HANDLES	HL4 1-3/8" Phenolic	HL5 1-3/4" Phenolic	

Please consult your local NOSHOK Distributor or NOSHOK, Inc. for availability and delivery information.

\* Other o-ring materials available on request.

**NOTE:** Plugs and bleed plugs are available and can be ordered separately, see page 65.

Please note that the standard o-ring in all the NOSHOK valves is FKM and the standard handles are "T" handles (HL2).

The handle material will always match the material of the valve, unless otherwise specified. For example, the "T" handle (HL2) on the 304-MFC will be steel. When only the standard configuration is needed, no additional designations are necessary. Please consult the factory for special application requests.

**EXAMPLE with Additional Options**

**304 - MFC - PK1 - P1 - HL5**

Series..... 300 soft seat     

Connection size..... 1/2" NPT     

Valve type..... Male-female, steel     

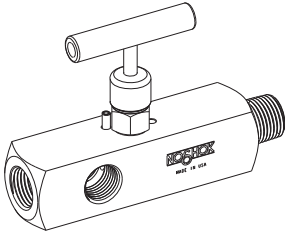
Soft seat ..... PEEK     

Packing..... PTFE     

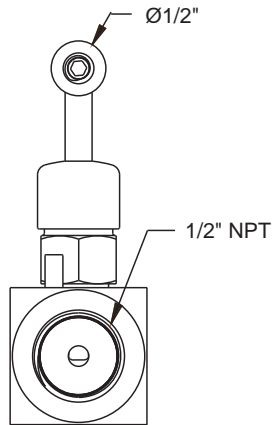
Handle ..... 1-3/4" Phenolic

# Needle Valves Dimensions

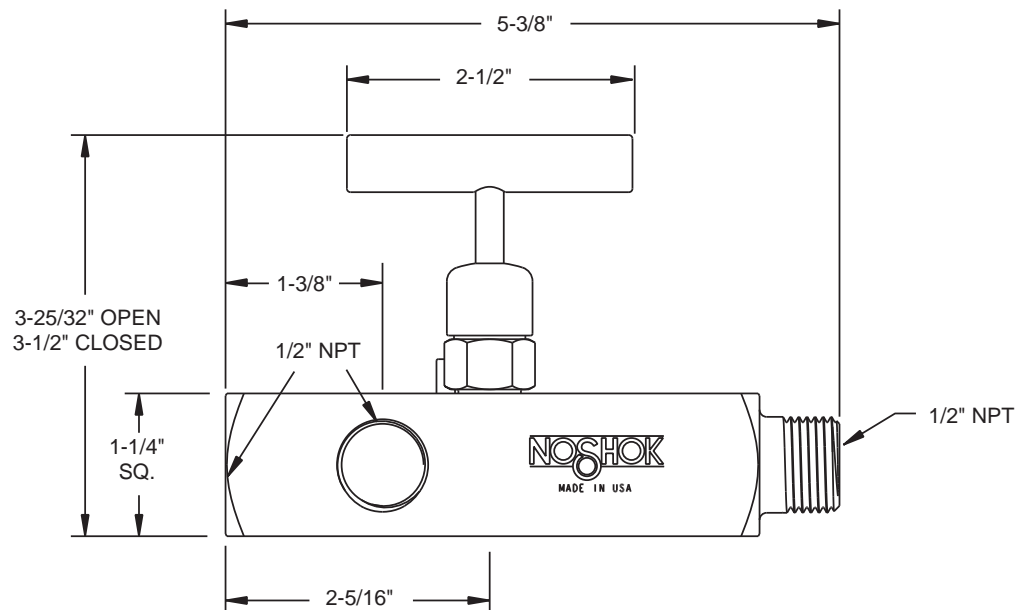
## Male-Female



Front View



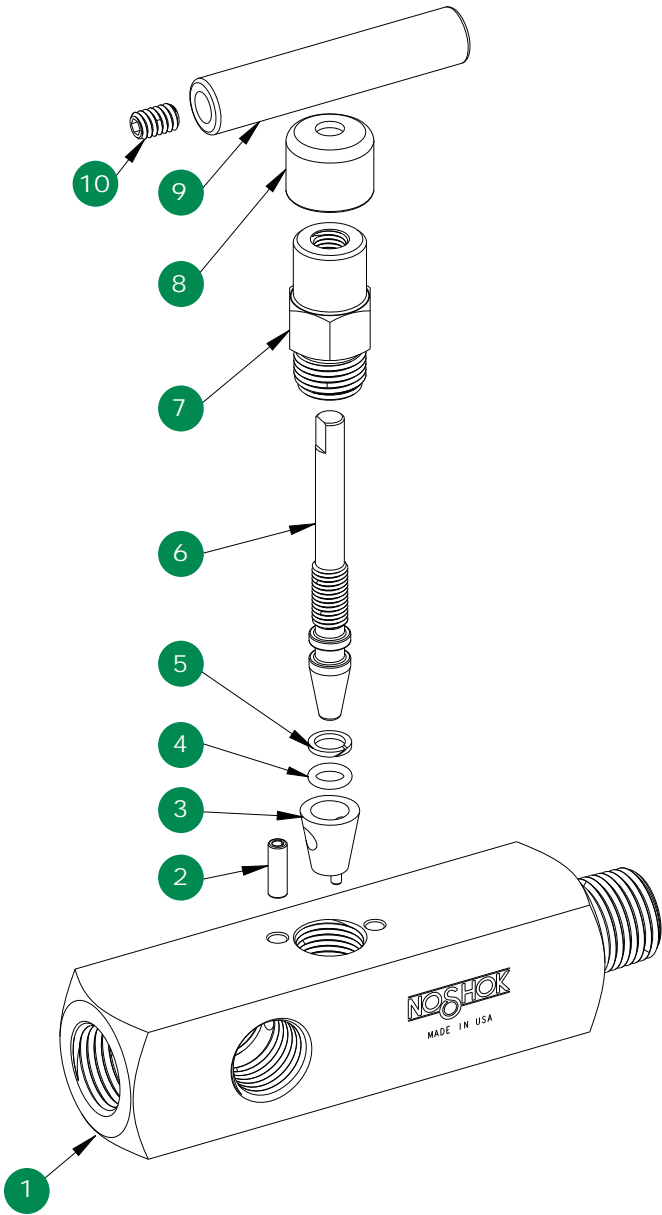
Side View



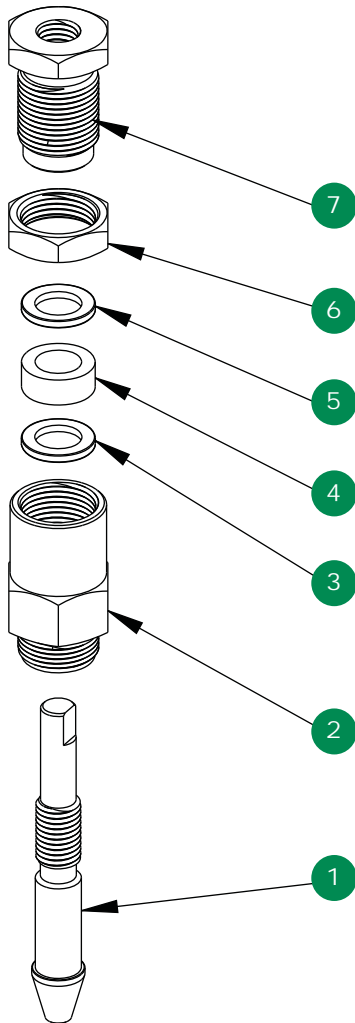
For panel mount, packing, & stem tip dimensions, see pgs. 64-67.

Multiport, Soft Seat

Option With Packing



- 1 Valve body
- 2 Slotted spring pin
- 3 Delrin® seat
- 4 FKM o-ring
- 5 PTFE back-up ring
- 6 Valve stem
- 7 Valve bonnet
- 8 Dust cap
- 9 Valve "T" handle
- 10 Set screw



- 1 Valve packing stem
- 2 Valve packing bonnet
- 3 Packing washer
- 4 Packing
- 5 Packing washer
- 6 Jam nut
- 7 Packing adjustment screw