



**KODIAK  
CONTROLS®  
INC.**

# KC304 Series Pressure Gauge

Kodiak's 300 series pressure gauges are designed to meet the demands of heavy duty industrial applications where brass wetted parts will not do. This series gauge offers 316SS wetted parts and is commonly used on hydraulic and pneumatic applications, pumps, chemical feed systems, R/O systems, or any corrosive application where a stainless steel connection is needed.

## Specifications

<b>Dial Sizes:</b>	1.5", 2", 2.5" (4" on special order)
<b>Case:</b>	304SS
<b>Wetted Parts:</b>	316SS
<b>Bezel:</b>	Crimped
<b>Lens:</b>	Polycarbonate
<b>Pointer:</b>	Black Aluminum
<b>Connection:</b>	Center Back Mount w/ Front Flange
	1.5" Dial - 1/8" NPT
	2" Dial - 1/8" or 1/4" NPT
	2.5" Dial - 1/4" NPT
	4" Dial - 1/4" or 1/2" NPT
<b>Scale:</b>	Standard: PSI/BAR (x100 = kPa)
<b>Accuracy:</b>	1.5" & 2" - 3-2-3%
	2.5" - 1.6%
	4" - 1.6%
<b>Fill:</b>	Glycerin (Standard), Dry Available
<b>Temperature:</b>	Dry: -30°F/180°F Filled: 20°F/160°F



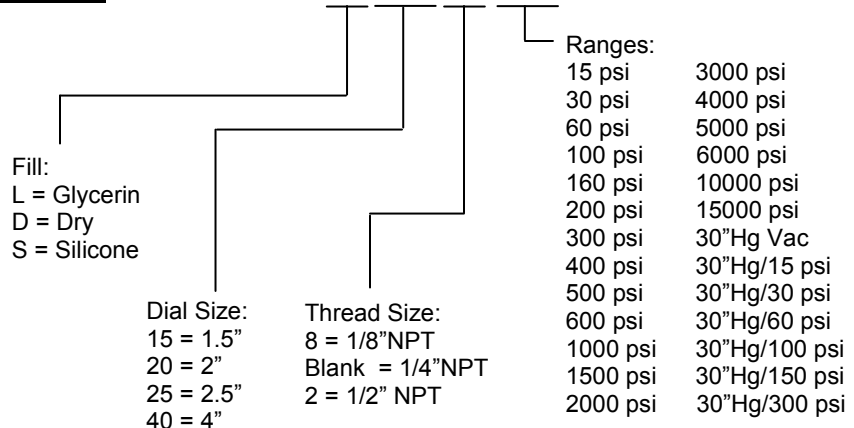
## Options\*

- Custom Dials
- Special Fill Fluid
- Special Connection Threads (BSP, SAE, etc.)
- Glass Lens
- NIST Certificates of Calibration

\*Lead times and minimum orders may apply

Example:

**KC304 L 25 60**



	Unit	A	B	C	D	E	F	G
1.5" Dial	IN	1.88	1.06	0.89	1.95	1/8 NPT	2.46	1.63
	MM	48	27	23	50		63	42
2" Dial	IN	2.23	1.09	0.71	1.99	1/8 or 1/4 NPT	2.81	2.00
	MM	57	28	23	51		72	51
2.5" Dial	IN	2.80	1.28	1.18	2.46	1/4 NPT	3.48	2.50
	MM	71	33	30	63		88	64

