



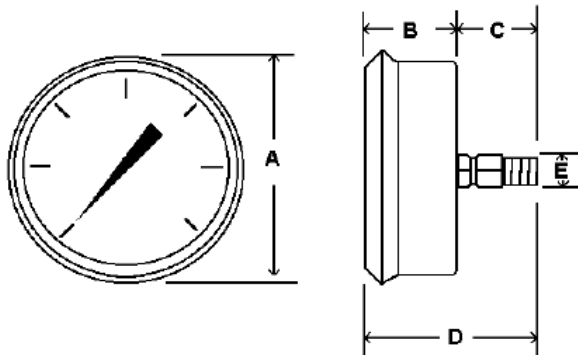
**KODIAK
CONTROLS®
INC.**

KC302 Series Pressure Gauge

Kodiak's 300 series pressure gauges are designed to meet the demands of heavy duty industrial applications where brass wetted parts will not do. This series gauge offers 316SS wetted parts and is commonly used on hydraulic and pneumatic applications, pumps, chemical feed systems, R/O systems, or any corrosive application where a stainless steel connection is needed.

Specifications

Dial Sizes:	1.5", 2", 2.5" (4" on special order)
Case:	304SS
Wetted Parts:	316SS
Bezel:	Crimped
Lens:	Polycarbonate
Pointer:	Black Aluminum
Connection:	Center Back Mount
	1.5" Dial - 1/8" NPT
	2" Dial - 1/8" or 1/4" NPT
	2.5" Dial - 1/4" NPT
	4" Dial - 1/4" or 1/2" NPT
Scale:	Standard: PSI/BAR (x100 = kPa)
Accuracy:	1.5" & 2" - 3-2-3%
	2.5" - 1.6%
	4" - 1.6%
Fill:	Glycerin (Standard), Dry Available
Temperature:	Dry: -30°F/180°F Filled: 20°F/160°F



	Unit	A	B	C	D
1.5" Dial	IN	1.88	1.06	0.89	1.95
	MM	48	27	23	50
2" Dial	IN	2.23	1.09	0.71	1.99
	MM	57	28	23	51
2.5" Dial	IN	2.80	1.28	1.18	2.46
	MM	71	33	30	63
4" Dial	IN	4.32	1.63	1.14	2.77
	MM	110	42	29	71

Options*

- Custom Dials
- Special Fill Fluid
- Special Connection Threads (BSP, SAE, etc.)
- Glass Lens
- NIST Certificates of Calibration

*Lead times and minimum orders may apply

Example:

KC302 L 25 30

