

## Type 1377 Duragauge® Pressure Gauge with PLUS!™ Performance Option



- 4½" full-size Bourdon tube
- Patented Duratube™ with as-welded-tube construction controls stress for longer life
- "Round Cap Tip" construction lowers stresses for longer life
- Micrometer adjustable pointer.
- Exclusive Teflon coated 400 SS rotary movement for longer life
- PLUS!™ Performance Option:
  - Liquid-filled performance in a dry gauge
  - Fights vibration and pulsations without liquid-filled headaches
  - Order as option XLL
- Epoxy-coated system for superior corrosion resistance

Type 1377 Duragauge® pressure gauge is offered in 4½", 6" and 8½" dial sizes.

Designed for flush mounting, this solid-front gauge is ideal for panel board applications. Its black epoxy coating and its tough aluminum weatherproof case easily allow application in a variety of climatic conditions.

### PRODUCT SPECIFICATIONS

**Model Number:** 1377

**Accuracy:** ½% full scale (Grade 2A, ASME B40.100)

**Ranges:** Vacuum – 30,000 psi

**Dial Size:** 4½", 6", 8½" diameter

**Case Material:** Aluminum, black epoxy coated

**Ring:** Hinged steel, black enamel

**Back Cover:** 300 SS

### TEMPERATURE LIMITS

	Ambient	Process	Storage
Dry	-20/200°F <sup>(1)</sup> (-29/93°C)	-20/250°F <sup>(1)</sup> (-29/121°C)	-40/250°F (-40/121°C)
PLUS!	-40/150°F (-40/66°C)	-40/200°F (-40/93°C)	-40/150°F (-40/66°C)

**Note:** Other than discoloration of the dial and hardening of the gasketing that may occur as ambient or process temperatures exceeds 150°F, non-liquid-filled gauges with standard glass windows, can withstand continuous operating temperatures up to 250°F (121°C). Accuracy at temperatures above or below the reference ambient temperature of 68°F (20°C) will be affected by approximately .4% per 25°F. Gauges with welded joints will withstand 750°F (450°F (232°C) with silver brazed joints) for short times without rupture, although other parts of the gauge will be destroyed and calibration will be lost. For continuous use and for process or ambient temperatures above 250°F (121°C), a diaphragm seal or capillary or siphon is recommended.

<b>Weather Protection:</b>	Dry Case: IP54
<b>Window:</b>	Glass
<b>Dial:</b>	Aluminum, white background, black pressure scale.
<b>Pointer:</b>	Micrometer adjustable
<b>Movement:</b>	Rotary, 400 SS, Teflon® coated pinion gear and segment
<b>Bourdon Tube:</b>	C510 Phos. bronze/brass
(A) <sup>(1)</sup>	316L SS/steel (R) <sup>(2)</sup>
	316L SS/316L SS (S) <sup>(2)</sup>
	K Monel/Monel (P) <sup>(2)</sup>
<b>Connection Size:</b>	¼", ½" NPT
<b>Connection Location:</b>	Lower or back
<b>PRODUCT OPTIONS</b>	
<b>PLUS!™ Performance:</b>	XLL
<b>Fill:</b>	Dry Only
<b>Receiver Gauge:</b>	XPR
<b>Shatter Proof Glass Window:</b>	XSG
<b>Acrylic Window:</b>	XPD
<b>Set Hand:</b>	XSH
<b>Maximum Pointer:</b>	XEP

<sup>(1)</sup> Joints silver brazed

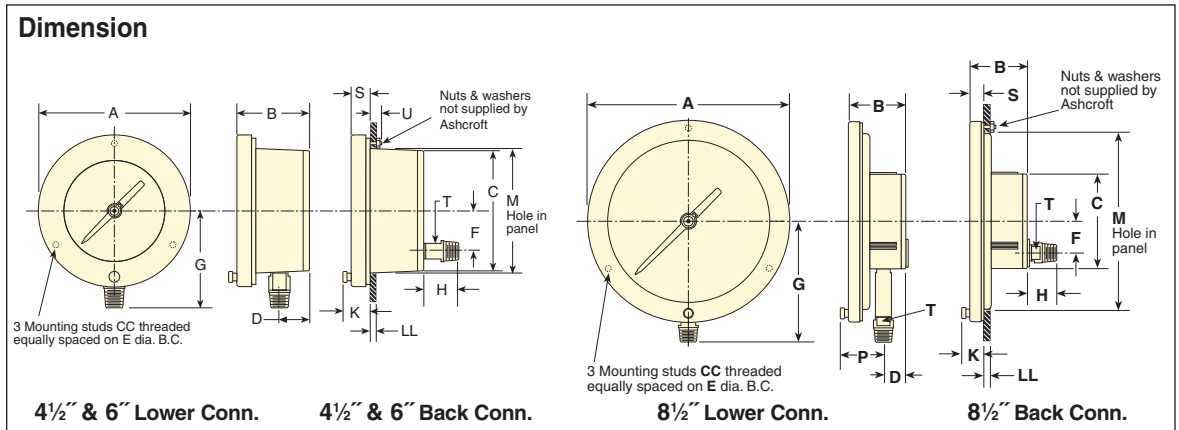
<sup>(2)</sup> Joints welded

### STANDARD RANGE TABLE\*

Pressure – psi				
Range	Figure interval	Minor Graduation		
0/15	1	0.1		
0/30	5	0.2		
0/60	5	0.5		
0/100	10	1		
0/160	20	2		
0/200	20	2		
0/300	50	2		
0/400	50	5		
0/600	50	5		
0/800	100	10		
0/1000	100	10		
0/1500	200	20		
0/2000	200	20		
0/3000	500	20		
0/5000	500	50		
0/6000	500	50		
0/10,000	1000	100		
0/20,000	2000	200		
0/30,000	5000	200		
Compound				
Range	Figure Interval		Minor Grads	
	in Hg	psi	in Hg	psi
30" Hg/15 psi	5	3	0.5	0.2
30" Hg/30 psi	10	5	1	0.5
30" Hg/60 psi	10	10	1	1
30" Hg/100 psi	10	10	2	1
30" Hg/150 psi	10	20	5	2
30" Hg/200 psi	30	20	5	2
30" Hg/300 psi	30	50	5	2
Vacuum				
Range	Figure Interval	Minor Grads		
30/0 in. Hg	5 in	0.2 in		
34/0 ft H <sub>2</sub> O	5 ft	0.5 ft		

\*Full standard and metric equivalent range table available on our web site.

## Type 1377 Duragauge® Pressure Gauge with **PLUS!**™ Performance Option



Dial Size Inches	A	B	C	D	E	F	G	H	K	M	P	S	T	U	CC	LL	Weight (lbs)
4 1/2	6 (152)				5 3/8 (137)		3 15/16 (100)			4 7/8 (124)					#10-24		2.5 DRY
6	7 3/4 (192)	2 7/8 (73)	4 3/4 (121)	1 1/8 (27)	7 (178)	1 5/8 (41)	4 1/2 (114)	1 3/8 (35)	1 1/8 (27)	6 1/2 (165)	2 1/8 (54)	5/8 (16)	5/8 (16)	3/4 (19)	1/4-20	1 5/8-1/2 (3)(13)	2.5 DRY
8 1/2	10 1/4 (257)				9 5/8 (244)		6 (152)			9 (229)					1/4-20		4.5 DRY

### Order Coding Example

45	1377	S	S	04	L	XSG	100	#
----	------	---	---	----	---	-----	-----	---

SIZE	TYPE	SYSTEM (TUBE & SOCKET Tube Socket)	CASE DESIGN SOLID FRONT	PROCESS CONNECTION SIZE	CONNECTION LOCATION	OPTIONS (X VARIATIONS) <sup>(1)</sup>	RANGE	ENGINEERING UNITS <sup>(1)</sup>
(45) 4 1/2	1377	(A) Phos. Bronze	(S) Solid Front	(02) 1/4 NPT male <sup>(1)</sup>	(B) Back	(NH) St. St. Wired Tag	See website for most common ranges offered	(#) PSI
(60) 6		(P) K-Monel		(04) 1/2 NPT male <sup>(1)</sup>	(D) Side (3:00)	(TS) Throttle screw <sup>(2)</sup>		(BR) Bar
(85) 8 1/2		(R) 316 SS (S) 316 SS		(09) 9/16-18 UNF-2B Aminco (standard for high pressure >20,000psi) <sup>(1)</sup> Max pressure 20,000psi	(E) Side (9:00) (L) Lower (T) Top (12:00)	(6B) Oxygen service (PD) Acrylic window (SG) Safety glass (EP) Maximum pointer, adjustable (SH) Red set hand, stationary (LL) PLUS! Performance (56) Flush mounting ring (C4) Individual calibration chart <sup>(1)</sup> Others on request <sup>(2)</sup> Standard with hermetically sealed or liquid filled gauge		(KG) Kilograms/CM2 (KP) Kilopascal (IMV) Inches of Mercury Vacuum <sup>(1)</sup> See website for more units of measure