



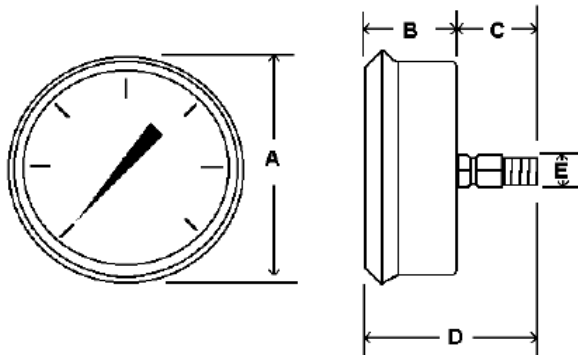
**KODIAK
CONTROLS®
INC.**

KC202 Series Pressure Gauge

Kodiak's 200 series pressure gauges are designed to meet the demands of heavy duty industrial applications. This series gauge is commonly used on hydraulic and pneumatic applications, pumps, compressors, chillers, or any other application that has vibration or needs a hermetically sealed industrial pressure gauge.

Specifications

Dial Sizes:	1.5", 2", 2.5", 4"
Case:	304SS
Wetted Parts:	Brass/Bronze
Bezel:	Crimped
Lens:	Polycarbonate
Pointer:	Black Aluminum
Connection:	Center Back Mount
	1.5" Dial - 1/8" NPT
	2" Dial - 1/8" or 1/4" NPT
	2.5" Dial - 1/4" NPT
	4" Dial - 1/4" or 1/2" NPT
Scale:	Standard: PSI/BAR (x100 = kPa)
Accuracy:	1.5" & 2" - 3-2-3%
	2.5" - 1.6%
	4" - 1.6%
Fill:	Glycerin (Standard), Dry Available
Temperature:	Dry: -30°F/180°F Filled: 20°F/160°F



	Unit	A	B	C	D
1.5" Dial	IN	1.88	1.06	0.89	1.95
	MM	48	27	23	50
2" Dial	IN	2.23	1.09	0.71	1.99
	MM	57	28	23	51
2.5" Dial	IN	2.80	1.28	1.18	2.46
	MM	71	33	30	63
4" Dial	IN	4.32	1.63	1.14	2.77
	MM	110	42	29	71

Options*

- Custom Dials
- Special Fill Fluid
- Special Connection Threads (BSP, SAE, etc.)
- Glass Lens
- NIST Certificates of Calibration

*Lead times and minimum orders may apply

Example:

KC202 L 20 8 60

