

# DIPTAPE™ Indicators – Alloy Versions

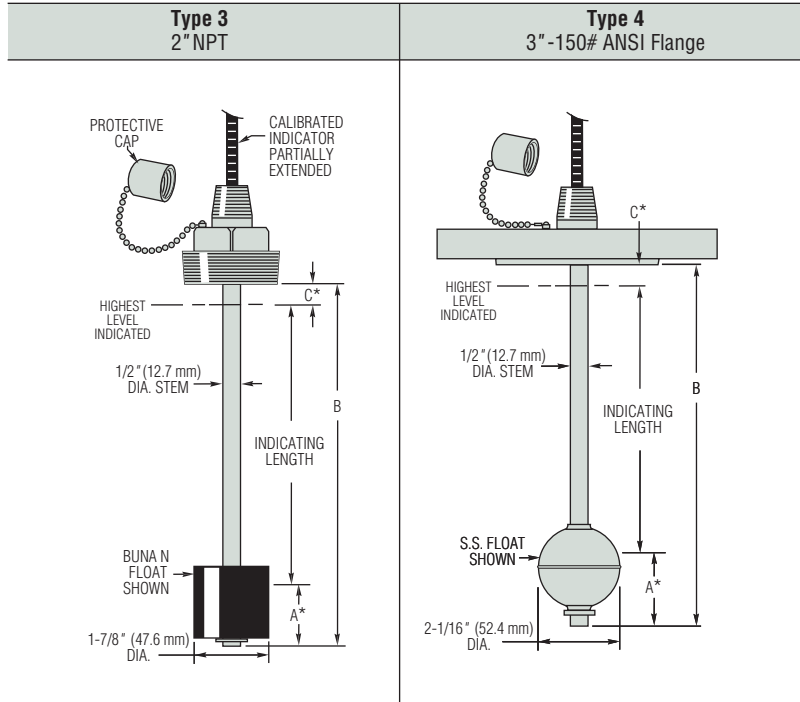
- ▶ Temperatures to 300°F (148°C)
- ▶ Pressures to 750 PSI (52 bar)

Rugged brass or stainless steel units are ideal for use in water and oils. Select these units for best temperature and pressure capabilities.

## 1. Mounting Types

“B” Dimension  
(Length Overall):  
Indicating Length + A + C

Note: Dimensions “C” and “A”  
are dependent on float selected.  
See Float Types below.

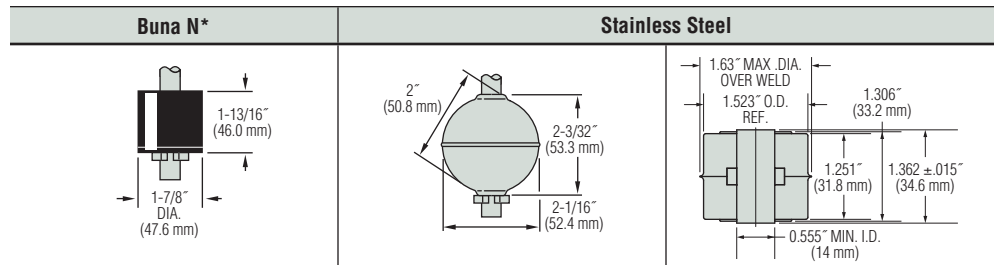


<b>Stem and Mounting Material</b>	Brass or 316 Stainless Steel	316 Stainless Steel Stem with Carbon Steel or 316 Stainless Steel Flange
<b>Indicating Length**</b>	6" to 72" (15.2 cm to 182.9 cm)	
<b>Std. Indication Markings</b>	1/16" or 1 mm increments	

\* Dimensions listed below, under “Float Types.”  
\*\* For longer lengths, please contact factory.



## 2. Float Types



	Buna N*	Stainless Steel	
<b>Float Part Number</b>	<b>73710</b>	<b>73709</b>	<b>138935</b>
<b>Min. Liquid Specific Gravity</b>	0.45	0.67	0.67
<b>Operating Temperatures</b>	Oil: -40°F to +230°F (-40°C to +110°C) Water: to 180°F (+82.2°C)	-40°F to +300°F (-40°C to +148.8°C)	-40°F to +220°F (-40°C to +104°C)
<b>Operating Pressure, Max.</b>	300 psi (21 bar) max. @ 77°F (25°C)	750 psi (52 bar) Mounting Type 3 150 psi (10 bar) Mounting Type 4	150 psi (10 bar)
<b>“A” Dimension (From Mounting Types)</b>	1-1/4" (31.7 mm)	1-3/8" (34.9 mm)	1" (25.4 mm)
<b>“C” Dimension (From Mounting Types)</b>	11/16" (17.5 mm)	3/4" (19.05 mm)	9/16" (14.3 mm)

\*Other Wetted Material: Hysol.

LEVEL INDICATORS – VISUAL

**ORDER IT!**  
Ordering is Easy! See Page D-23.  
Easy online ordering too!