



**DESCRIPTION**

The KAPS/KAPF is a piston pressure switch featuring an external adjustment knob to easily adjust set point . The switch is IP67 rated, enabling high performance in most outdoor conditions. It is excellent for hydraulic applications requiring long cycle life.

**FEATURES**

- Snap action micro switch
- Factory set or field adjustable
- Full metal stops
- High proof pressure

**APPLICATIONS**

- Industrial equipment
- Scissor lifts
- Presses
- Cranes

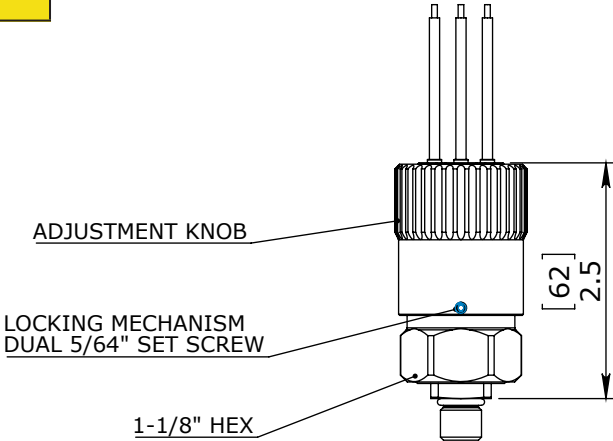
**Specifications**

Electrical	5A [12/24 VDC, 125 VAC/250 VAC] Optional: 10A or Gold Contact
Switch Type	Snap Action
Protection	IP67
Temperature Range	-20°F to 248°F (-29°C to 120°C) HNBR
Mechanical Range	1,000,000 Cycles @ 2500 PSI (172 BAR)
Piston Seal	HNBR
Housing Material	Zinc Plated Steel
Maximum Overpressure	15000 PSI (1034 BAR)
Repeatability	+/- 2% of full set point range at 20°C (68°F)
Differential	6 - 25 % of setting
Weight	0.44 lbs (0.2 kg)

**Pressure Range**

Model	Adjustment Range	
	PSI	BAR
5	350 - 1000	24 - 69
6	600 - 1600	41 - 110
7	1000 - 3200	69 - 220

**Dimensions**



**Wiring Code**

CONTACT	FLYING LEADS	FLWF / FLWM FLCM / FLCF / FLPM / FLPF		FLDR / FLDP	
		SPDT MODEL	SPST MODEL	SPDT MODEL	SPST MODEL
COMMON	BLACK	PIN A	PIN A	PIN A	PIN 1
NORMALLY CLOSED	BLUE	PIN C	PIN B	PIN C	PIN 2
NORMALLY OPEN	RED	PIN B	PIN B	PIN B	PIN 2

## Ordering Information

<b>Field Adjustable</b>	<b>KAPS</b>	-	<b>5</b>	-	<b>4M</b>	-	<b>C</b>	-	<b>FL</b>	-	<b>1</b>
<b>Factory Preset</b>	<b>KAPF</b>	-	<b>350F</b>	-	<b>4M</b>	-	<b>C</b>	-	<b>FL</b>	-	<b>1</b>

### 1 - Pressure Selection

Field Adjustable - Select Model Code

Insert set point value XXX followed by: R, F, BR, or BF

Model	Adjustment Range	
	PSI	BAR
<b>5</b>	350 - 1000	24 - 69
<b>6</b>	600 - 1600	41 - 110
<b>7</b>	1000 - 3200	69 - 220

OR

Set Point	Direction	Description
XXXX	<b>R</b>	PSI Rising Pressure
	<b>F</b>	PSI Falling Pressure
	<b>BR</b>	BAR Rising Pressure
	<b>BF</b>	BAR Falling Pressure

### 2 - Thread Options:

- 4M** - 1/4 NPT male
- 4S** - 7/16-20 SAE male, with O-ring seal

### 3 - Circuit:

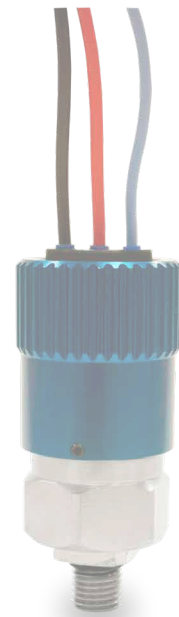
- A** - SPST (Normally Open)
- B** - SPST (Normally Closed)
- C** - SPDT (Single Pole Double Throw: Normally Open and Normally Closed)

### 4 - Electrical Termination:

- FL** - Flying Lead 18" long, 18 AWG
- FLWF** - Flying Lead Weatherpack connector, female, Tower, 10" long leads
- FLWM** - Flying Lead Weatherpack connector, male, Shroud, 10" long leads
- FLDP** - Flying Lead Deutsch connector, plug, 10" long leads
- FLDR** - Flying Lead Deutsch connector, receptacle, 10" long leads
- FLCM** - Flying Lead Metripack, male, 150 series, 10" long leads
- FLCF** - Flying Lead Metripack, female, 150 series, 10" long leads
- FLPM** - Flying Lead Metripack, male, 280 series, 10" long leads
- FLPF** - Flying Lead Metripack, female, 80 series, 10" long leads

### 5 - Options (Omit if not required):

- 1** - Viton® Seal
- 7** - Gold Contact, Snap Action Microswitch @ 20mA/12VDC
- 8** - 10 amp, Snap Action Microswitch @ 10(1.5) 125 VAC/250 VAC (inductive)



Note: Please see page 52 for other available options