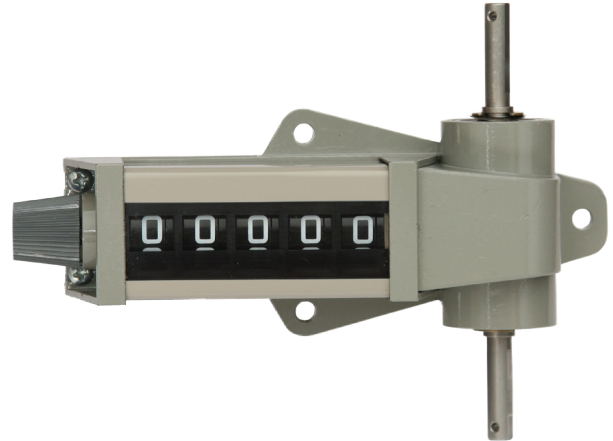


7434 Series Worm Drive Totalizer

Available in three popular geared ratios, the 7434 Series is typically used with measuring wheels to totalize feet, yards, 1/8 yards, or meters. Its double-ended shaft can carry two measuring wheels for extra grip and stability in contacting measured material. It is commonly used in the textile, wire and cable, paper, rope, and sheet products industries.

Noncorrosive materials are used throughout for years of trouble-free service. Models are provided that add in the clockwise, or counterclockwise direction. Opposite rotation subtracts. All are right-hand drive.

Other features and configurations are available on special order, such as: shaft variations, special wheel colors and markings, and reset options.



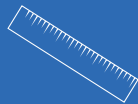
- Precision linear measurement of all types of moving materials
- Double stainless steel shafts accept dual measuring wheels
- Heavy-duty ball bearings allow shaft speeds to 3000 rpm
- White-on-black, high contrast figures for easy viewing
- Clean, modern styled enclosure – corrosion and dust resistant
- Models with 3:1, 1:1, or 0.375:1 revolution-to-count ratio
- Counts in yards, 1/8 yards, or feet using standard footage wheel
- Counts in meters, using 1/3 meter wheel
- Smooth action rotary knob reset



TIME



COUNT



MEASURE

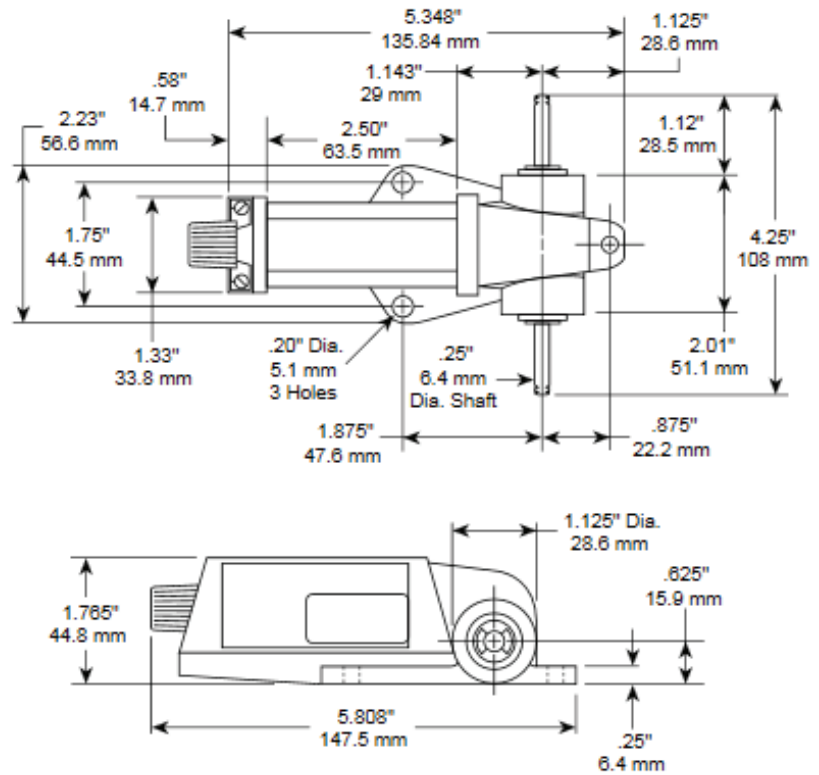
8:43

DISPLAY

SPECIFICATIONS

SPEED	Continuous 3000 rpm or 3000 cpm, whichever is limiting
DRIVE	G geared Drive, adds one count for a specified number of drive shaft revolutions; models subtract for opposite rotation; with 0.375:1 ratio, rightwheel is marked 0 to 7/8 by 1/8ths and reads yards and eighths when used with 1-foot circumference measuring wheels
TORQUE	Max static 2 oz-in
GEARING	Standard 3:1, 1:1, and 0.375:1
NUMBER OF FIGURES	5
SIZE OF FIGURES	0.270" high x 0.185" wide (6.9mm x 4.7mm)
COLOR OF FIGURES	White on Black
RESET	Manual Knob
LUBRICATION	Not required
MOUNTING	Base
CONSTRUCTION	End caps and worm base: Zamak Case: C.A.B. plastic Internal Parts: Acetal resin, A.B.S. plastic or sintered metal Worm Drive Shaft: Stainless steel
WEIGHT	1 lb. (0.454 kg)

DIMENSIONS



ORDERING INFORMATION

Standard Models

743415-003 Clockwise Rotation, 1:1 Ratio
743415-005 Clockwise Rotation, 3:1 Ratio

743425-003 Counterclockwise Rotation, 1:1 Ratio
743425-005 Counterclockwise Rotation, 3:1 Ratio
743425-014 Counterclockwise Rotation, 0.375:1 Ratio

Special Variations Available. Please consult factory.

Rotation

