

## Block &amp; Bleed, Soft Seat

## 700 SERIES



- Block & bleed design allows pressure to be bled off without disturbing the permanent piping installation, allowing quick and easy removal or replacement of instruments
- 100% helium leak tested to  $1 \times 10^{-4}$  ml/s for guaranteed performance and reliability
- 6,000 psi pressure rating @ 200 °F
- Replaceable Delrin® seat and straight through porting for bidirectional, high capacity flow and easy roddable cleaning
- PCTFE or PEEK soft seat optional
- Blow-out proof stem provides a secondary stem seal in the full open position
- FKM o-ring seal and PTFE back-up ring below the stem threads to protect from corrosion and galling; PTFE packing optional
- All stems are 316 stainless steel
- All stem threads are rolled for strength and ease of operation
- One-piece bonnet with a metal-to-metal seal to the valve body below the bonnet threads
- Slotted spring pin to prevent accidental loosening
- Vinyl dust cap for bonnet and stem (non-packing)
- 0.090" bleed hole located on the bottom is controlled by a 1/4"-20 UNF-2A bleed screw

## SPECIFICATIONS

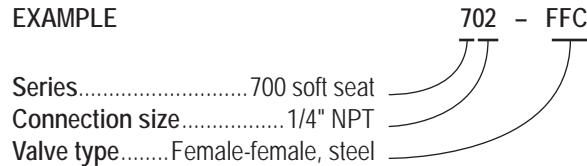
|                  |  |
|------------------|--|
| Materials        | Zinc-nickel plated steel, electropolished<br>316 stainless steel   |
| Connections      | 1/4" & 1/2" NPT<br>Male-female & Female-female configurations  |
| Pressure rating  | 6,000 psi @ 200 °F   |
| Orifice size     | 0.187"   |
| Flow coefficient | $C_v$ 0.76   |
| Stem seal & type | All 316 stainless steel stems with FKM o-ring and PTFE back-up ring below the threads, PTFE packing optional |
| Options          | Panel mountings, o-ring materials, handles, packings, regulating stem and stem tips                          |

NOTE: All NOSHOK valve products conform to the MSS SP-99 instrument valves standards, and valves supplied with packing also conform to MSS SP-132 compression packing systems for instrument valves standard.

| ORDERING INFORMATION |     |                       |                                    |
|----------------------|-----|-----------------------|------------------------------------|
| SERIES               | 7   | 700 Series, soft seat |                                    |
| CONNECTION SIZES     | 02  | 1/4" NPT              | 04 1/2" NPT                        |
| VALVE TYPES          | MFC | Male-Female, Steel    | MFS Male-Female, Stainless Steel   |
|                      | FFC | Female-Female, Steel  | FFS Female-Female, Stainless Steel |

Please consult your local NOSHOK Distributor or NOSHOK, Inc. for availability and delivery information.

**EXAMPLE**



To meet all of your specific application requirements, the following additional options are available for these needle valves. To order all or any of these options, simply add them to the part number as shown in the diagram below.

**NOTE 1:** The example shown includes ALL possible additional options. Please include ONLY the options required for your application when building your part number. (EXAMPLE: 702-FFC-HL5)

**NOTE 2:** When a packing option is selected, an o-ring option is NOT available.

| ORDERING INFORMATION - Additional Options |     |                              |   |
|---|-----|------------------------------|---|
| SOFT SEATS                                | PK1 | PEEK                         | KF1 PCTFE                                     |
| PACKINGS                                  | P1  | PTFE                         |   |
| STEM TIPS                                 | T1  | Non-rotating (316 stainless) |   |
| O-RINGS*                                  | EM1 | EPDM                         | KZ1 FFKM (Kalrez® 3018 or equivalent) NB1 NBR |
| PANEL MOUNTINGS                           | PM1 | Panel mount (1 nut)          | PM2 Panel mount (2 nuts)                      |
| HANDLES                                   | HL4 | 1-3/8" Phenolic              | HL5 1-3/4" Phenolic                           |

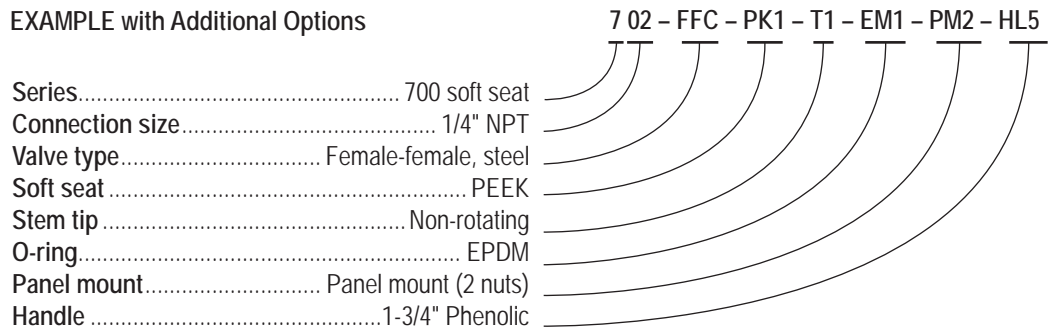
Please consult your local NOSHOK Distributor or NOSHOK, Inc. for availability and delivery information.

\* Other o-ring materials available on request.

Please note that the standard o-ring in all the NOSHOK valves is FKM and the standard handles are "T" handles (HL2).

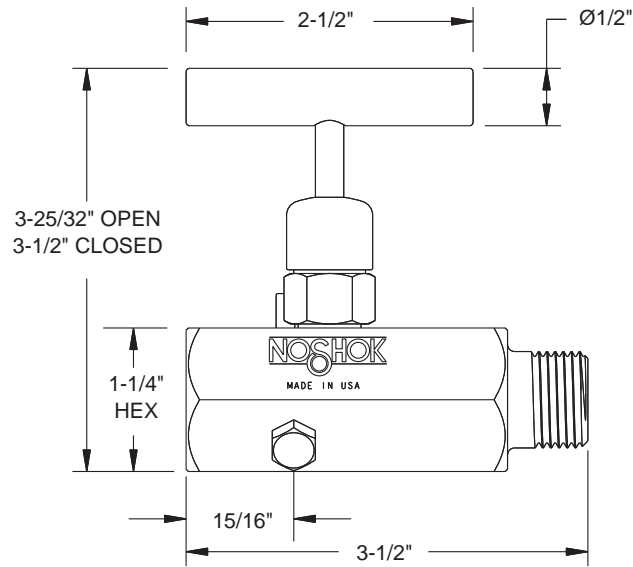
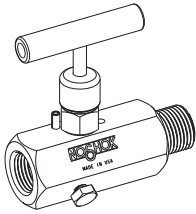
The handle material will always match the material of the valve, unless otherwise specified. For example, the "T" handle (HL2) on the 702-FFC will be steel. When only the standard configuration is needed, no additional designations are necessary. Please consult the factory for special application requests.

**EXAMPLE with Additional Options**

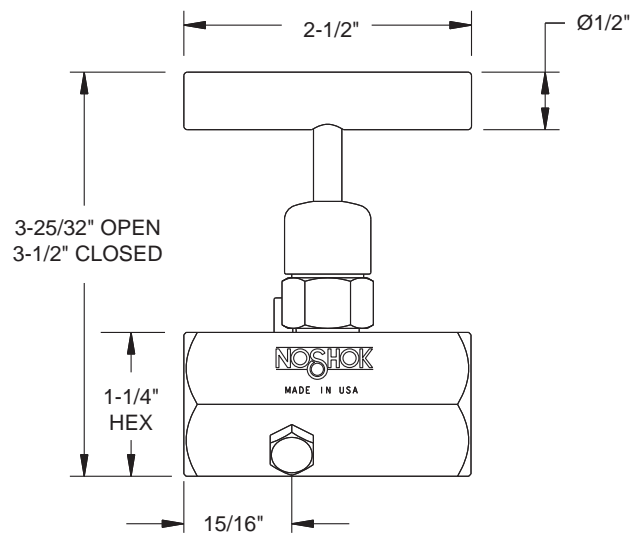
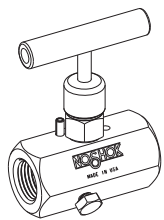


# Dimensions

## Male-Female

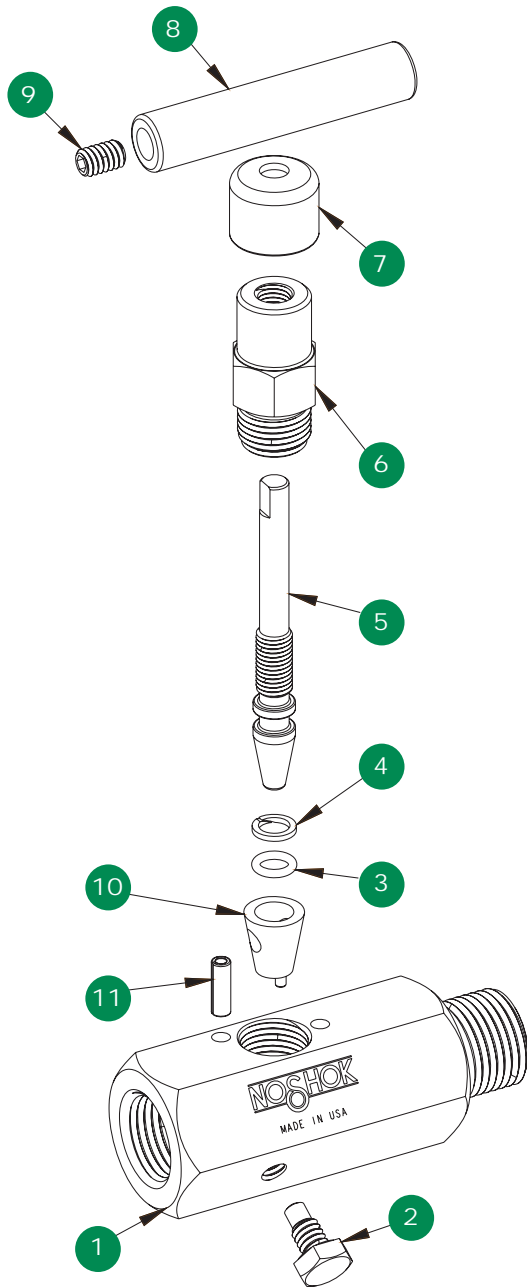


## Female-Female



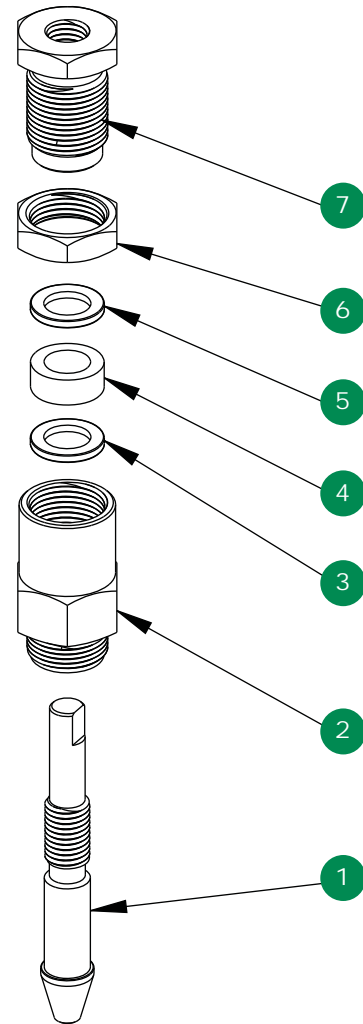
For panel mount, packing,  
& stem tip dimensions,  
see pgs. 64-67.

Block & Bleed, Soft Seat



- 1 Valve body
- 2 Bleed screw
- 3 FKM o-ring
- 4 PTFE back-up ring
- 5 Valve stem
- 6 Valve bonnet
- 7 Dust cap
- 8 Valve "T" handle
- 9 Set screw
- 10 Delrin® seat
- 11 Slotted spring pin

Option With Packing



- 1 Valve packing stem
- 2 Valve packing bonnet
- 3 Packing washer
- 4 Packing
- 5 Packing washer
- 6 Jam nut
- 7 Packing adjustment screw