

# 5" DIAL ADJUST-ANGLE BIMETAL "E" SERIES - MODEL 5AAE

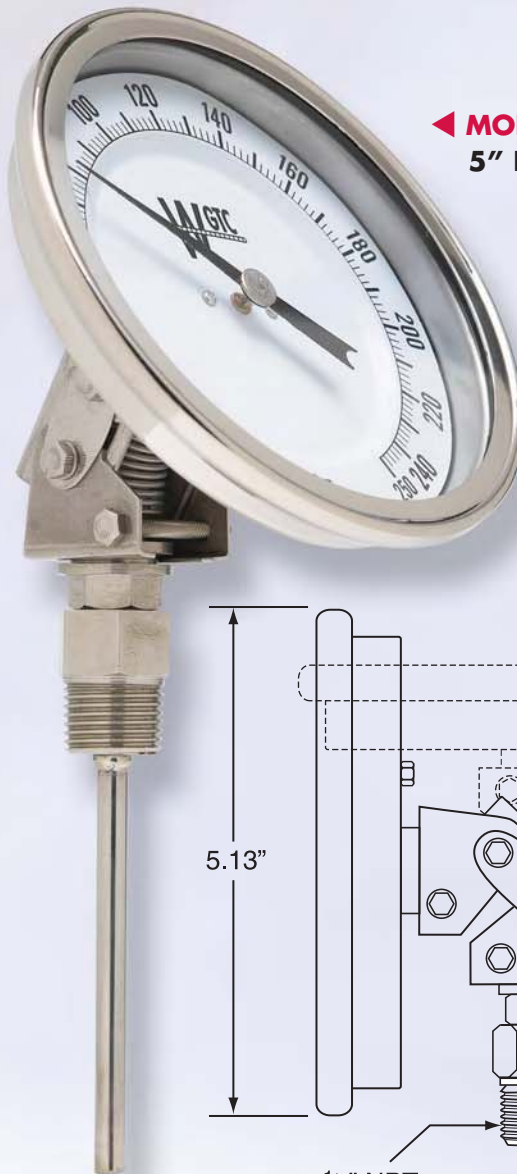
## STANDARD FEATURES

- 5" dial size
- 2 1/2", 4" and 6" stems only
- All welded 304 stainless steel construction
- Silicone dampened bimetal element
- Sealed against dust, dirt and moisture
- Easy external recalibration adjustment
- Anti-parallax dial
- Accurate to 1% per ASME B40.3
- Over-range protection is 50% up to 500°F
- Fully gasketed glass lens

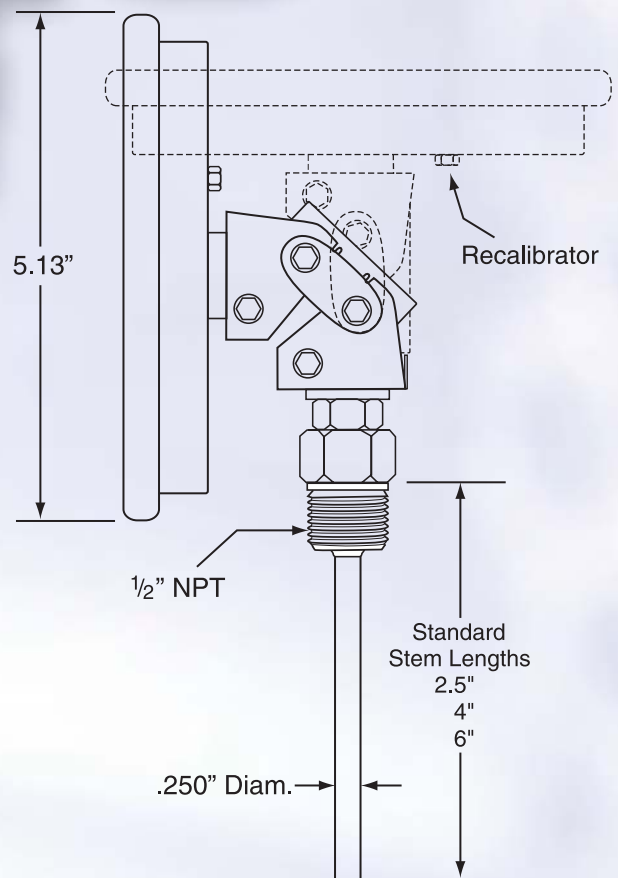
See page 20 for thermowells.

## TEMPERATURE RANGES

CODE	FAHRENHEIT
02	-40/120°F
03	0/150°F
04	0/200°F
05	0/250°F
06	20/240°F
07	25/125°F
09	50/300°F
10	50/400°F
11	50/500°F



◀ **MODEL 5AAE**  
**5" Dial**



### HOW TO ORDER - PLEASE SPECIFY THE FOLLOWING:

MODEL #	STEM LENGTH	"E" SERIES	RANGE
<b>5AA</b>	<b>02</b> = 2 1/2" stem <b>06</b> = 6" stem <b>04</b> = 4" stem	<b>E</b>	<b>2 digit code</b> from table