



## BRE Series Reset Timer

The BRE Series enclosed construction with front facing dial and knob. The BRE Series timer has a heavy duty terminal block, with 9 screw terminals that will readily accept 16 gauge wire commonly used in industrial circuit wiring.

The case of the BRE Series timer is injection molded Lexan®. This material is recognized by Underwriters Laboratories for use as the sole support of current carrying components. Lexan is self-extinguishing, has a high impact strength, and high dimensional stability.

The NEW BRE series reset timers are micro proces-sor driven. They provide an accurate adjustable time delay between the actuation of the control circuit and the operation of the load switches. New standard pilot light is on during timing period.



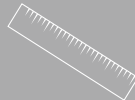
- Surface mounted
- Many time ranges available
- On-delay and off-delay models
- Easy install and set-up



TIME



COUNT



MEASURE

8:43

DISPLAY

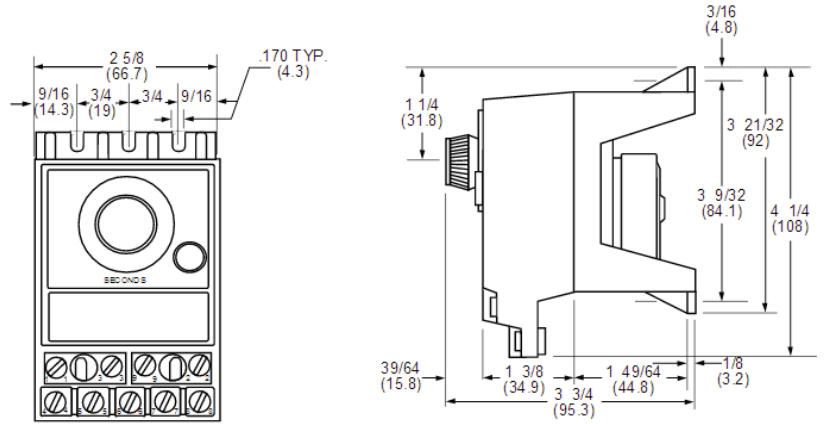


# BRE Series Reset Timer

## SPECIFICATIONS

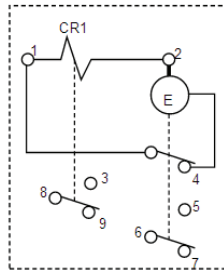
TIME RANGES	See table below
REPEATABILITY	Typical $\pm 1/4\%$ of full scale
RESET TIME	1 ms
VOLTAGE/FREQUENCY	120V (+10, -15%), 50/60 Hz; 240V (+10, -15%), 50/60 Hz
POWER CONSUMPTION	1.5 W
OUTPUT RATING	10 amp, 1/4 HP, 120/240 VAC; 1/2 amp, 125 VDC; 1/4 amp, 240 VDC
ACTIVATION TIME	150 ms
DIAL SETTING ACCURACY	3% of full scale
MINIMUM SETTING	2% of full scale
OPERATING TEMPERATURE	-10° to 140° F (-23° to 60° C)
APPROVALS	UL Recognition E61735; FM Approval 21038

## DIMENSIONS



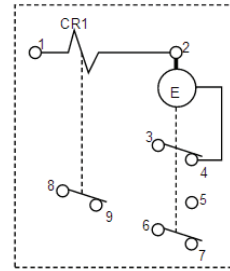
### TIME RANGES

SYMBOL	MAXIMUM SETTING	MINIMUM SETTING	DIAL MARK DIVISIONS
1	5 seconds	.05 seconds	.25 seconds
3	15 seconds	.15 seconds	1 second
4	30 seconds	.3 seconds	2 seconds
5	60 seconds	.6 seconds	2 seconds
6	150 sseconds	1.5 seconds	5 seconds
7	5 minutes	3 seconds	15 seconds
8	10 minutes	6 seconds	30 seconds
9	30 minutes	18 seconds	2 minutes
10	60 minutes	.6 minutes	2 minutes
11	5 hours	3 minutes	15 minutes
12	10 hours	6 minutes	30 minutes



### Standard Start

Instantaneous contact 8-9 and 8-3 operates directly with energization of 1 & 2, (CRI), offering different sequences of operation depending on the control circuit configuration. Delayed contacts 6-5 close and 6-7 and 1-4 open when timer reaches a timed out condition. Contacts 6-7 and 1-4 close and 6-5 open when timer is reset.



### Reverse Start

Instantaneous contact 8-9 operates directly with the energization of 1 & 2 (CRI). Delayed contacts 6-5 close and 6-7 and 3-4 open when timer reaches a timed out position. Contacts 6-7 and 3-4 close and 6-5 open when timer is reset.

## WIRING

## ORDERING INFORMATION

BRE - X XX XX

TIME RANGES		VOLTAGE/FREQUENCY		FEATURES	
SYMBOL	DESCRIPTION	SYMBOL	DESCRIPTION	SYMBOL	DESCRIPTION
1	5 seconds*	A6	5 seconds	BLANK	Standard Timer
3	15 seconds	B6	15 seconds	01	Reverse Start
4	30 seconds				
5	60 seconds				
6	150 sseconds				
7	5 minutes				
8	10 minutes				
9	30 minutes				
10	60 minutes				
11	5 hours				
12	10 hours				

\*NOT AVAILABLE IN B6 VERSION