



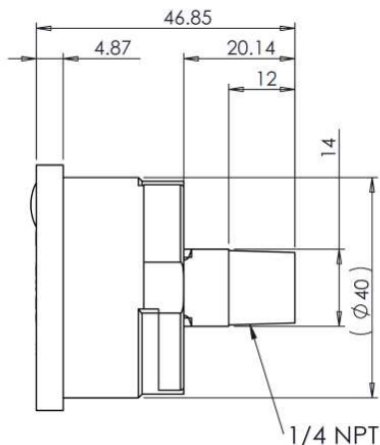
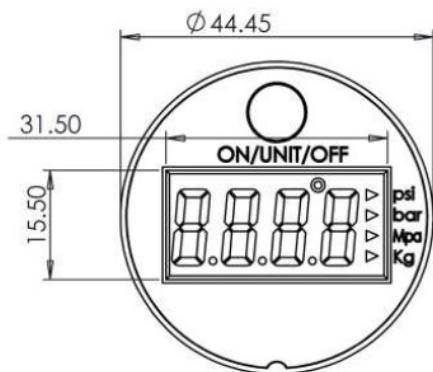
**KODIAK
CONTROLS®
INC.**

KCDG15 Series Digital Pressure Gauge

The Kodiak KCDG15 series digital pressure gauge offers high performance with 1.0% full scale accuracy in a compact size allowing for versatility in multiple applications. The 4-digit LCD display allows for easy point-of-reference pressure readings helping to eliminate false readings in the field. The KCDG15 is commonly used on pneumatic regulators, filters, compressors, or any application where brass is acceptable for air or other gases.

Specifications

Dial Sizes:	1 3/4"
Wetted Parts:	Brass
Display:	LCD
Power Supply:	Battery Operated
Connection:	Center Back Mount 1/8" NPT or 1/4" NPT
Power Options:	Standard 5 min Auto Shut-Off
Accuracy:	1.0%
Temperature:	-10°F/140°F
Burst Pressure:	2 X F.S.
Media:	Air or Other Gases
Scales:	psi, bar, Mpa, kg/cm ²
Range:	0-145 psi/ 0-10 bar



Options*

- Custom Face Plates (Logos, Part#'s, etc.)
- Special Connection Threads (BSP, SAE, etc.)
- Power-Off Configurations
- Various Pressure Ranges from Vacuum to 200 psi

*Lead times and minimum orders may apply

Part Numbers

1/4" NPT: KCDG154145

1/8" NPT: KCDG158145



Operating Instructions

- Press button to select unit.
- Press and hold button for 3 seconds to power off the meter.
- If the meter powers off, press button to activate the meter and it shows the current pressure.
- If battery power is not enough, the LCD will show “Lob” for around 3 seconds. Then the meter powers off automatically. If the same situation occurs as power on, please put the new battery instead.

Pressure Re-Zeroed

1. Power the meter off.
2. Press and hold the button around 5 seconds and the display shows “8888”. Release the button and complete the re-zeroed procedure after around 3 seconds.

Replace New Battery

1. Loosen the 2 screws on the back of the meter.
2. Depart the top/ bottom case slightly and take off the CR2450 battery.
3. Replace new battery. Please watch out its polarity.
4. The display will show the current pressure if the installation is correct.
5. If no display on LCD, check the polarity of battery, or power voltage (up to 3V.)
6. Assemble the top/ bottom case if the display is normal. Be careful of assembling by using the raised point on the top case to align the fillister on the bottom case.

Notices

1. Don't run the re-zeroed function as the meter is connected to a pipe.
2. If replacing the battery, we suggest that performing a re-zero function in the atmosphere to reduce the error due to environmental pressure to improve the pressure accuracy.
3. When removing the faceplate to replace the battery, please be careful not to pull off the wire connected between the top and bottom case.