



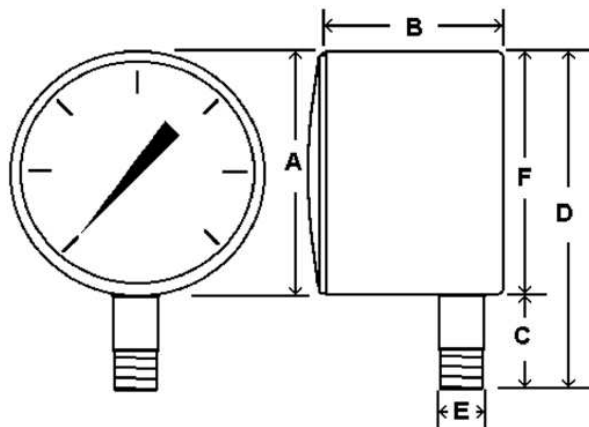
**KODIAK  
CONTROLS®  
INC.**

# KC25 Series Low Pressure Gauge

The KC25 series low pressure gauge is a capsule type gauge for accurate measurement of low pressures. These gauges are commonly used to measure air, water, natural gas, or other medias not corrosive to brass/bronze

## Specifications

<b>Dial Sizes:</b>	2.5"
<b>Case:</b>	Chrome Plated Steel
<b>Wetted Parts:</b>	Brass/Bronze
<b>Lens:</b>	Polycarbonate
<b>Pointer:</b>	Black Aluminum w/ Calibration Adjustment
<b>Connection:</b>	Lower Mount—1/4" NPT
<b>Scale:</b>	Standard: PSI or IWC (inches H2O)
<b>Accuracy:</b>	2-1-2%
<b>Temperature:</b>	Dry: -30°F/180°F



	Unit	A	B	C	D
2.5" Dial	IN	2.60	1.38	0.88	3.48
	MM	66	35	22	88

## Options\*

- Custom Dials
- Special Connection Threads (BSP, SAE, etc.)
- Private Labeling
- Dual Scales

\*Lead times and minimum orders may apply

Example:  
**KC25-5#**

IWC Ranges:	PSI Ranges:
10" H2O	3#
15" H2O	5#
30" H2O	10#
35" WC/20oz/in <sup>2</sup>	
60" H2O	IWC Vacuum Range:
100" H2O	30"-0 H2O VAC
160" H2O	60"-0 H2O VAC
200" H2O	100"-0 H2O VAC



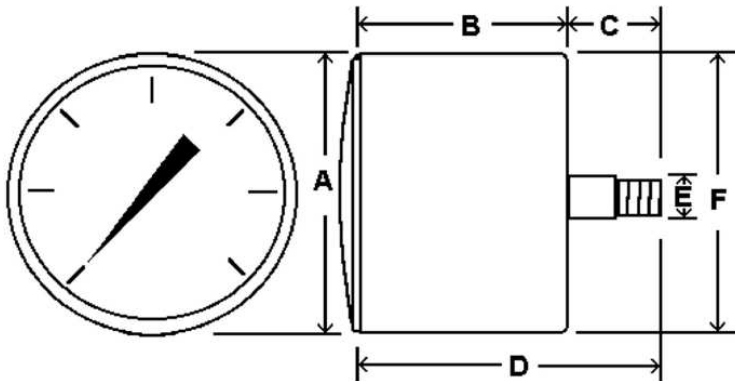
**KODIAK  
CONTROLS®  
INC.**

# KC25-CBM Series Low Pressure Gauge

The KC25 series low pressure gauge is a capsule type gauge for accurate measurement of low pressures. These gauges are commonly used to measure air, water, natural gas, or other medias not corrosive to brass/bronze

## Specifications

<b>Dial Sizes:</b>	2.5"
<b>Case:</b>	Chrome Plated Steel
<b>Wetted Parts:</b>	Brass/Bronze
<b>Lens:</b>	Polycarbonate
<b>Pointer:</b>	Black Aluminum w/ Calibration Adjustment
<b>Connection:</b>	Center Back—1/4" NPT
<b>Scale:</b>	Standard: PSI or IWC (inches H2O)
<b>Accuracy:</b>	2-1-2%
<b>Temperature:</b>	Dry: -30°F/180°F



	Unit	A	B	C	D	E	F
2.5" Dial	IN	2.60	1.92	0.84	2.75	1/4" NPT	2.60
	MM	66	49	22	71		66

## Options\*

- Custom Dials
- Special Connection Threads (BSP, SAE, etc.)
- Private Labeling
- Dual Scales

\*Lead times and minimum orders may apply

Example:  
**KC25-CBM-5#**

IWC Ranges:	PSI Ranges:
10" H2O	3#
15" H2O	5#
30" H2O	10#
35" WC/20oz/in <sup>2</sup>	
60" H2O	IWC Vacuum Range:
100" H2O	30"-0 H2O VAC
160" H2O	60"-0 H2O VAC
200" H2O	100"-0 H2O VAC



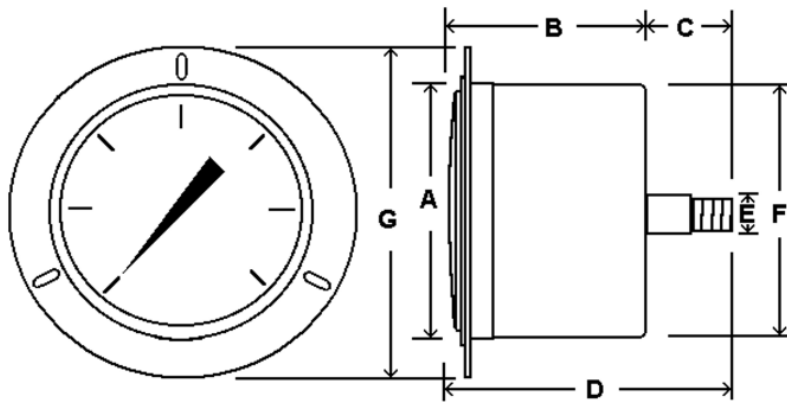
**KODIAK  
CONTROLS®  
INC.**

# KC25-FF Series Low Pressure Gauge

The KC25 series low pressure gauge is a capsule type gauge for accurate measurement of low pressures. These gauges are commonly used to measure air, water, natural gas, or other medias not corrosive to brass/bronze

## Specifications

<b>Dial Sizes:</b>	2.5"
<b>Case:</b>	Chrome Plated Steel
<b>Wetted Parts:</b>	Brass/Bronze
<b>Lens:</b>	Polycarbonate
<b>Pointer:</b>	Black Aluminum w/ Calibration Adjustment
<b>Connection:</b>	Center Back w/ Front Flange —1/4" NPT
<b>Scale:</b>	Standard: PSI or IWC (inches H2O)
<b>Accuracy:</b>	2-1-2%
<b>Temperature:</b>	Dry: -30°F/180°F



## Options\*

- Custom Dials
- Special Connection Threads (BSP, SAE, etc.)
- Private Labeling
- Dual Scales

\*Lead times and minimum orders may apply

Example:  
**KC25-FF-5#**

IWC Ranges:	PSI Ranges:
10" H2O	3#
15" H2O	5#
30" H2O	10#
35" WC/20oz/in2	
60" H2O	IWC Vacuum Range:
100" H2O	30"-0 H2O VAC
160" H2O	60"-0 H2O VAC
200" H2O	100"-0 H2O VAC

	Unit	A	B	C	D	E	F	G
2.5" Dial	IN	2.71	1.81	0.92	2.72	1/4" NPT	2.60	3.44
	MM	69	46	23	70		66	87



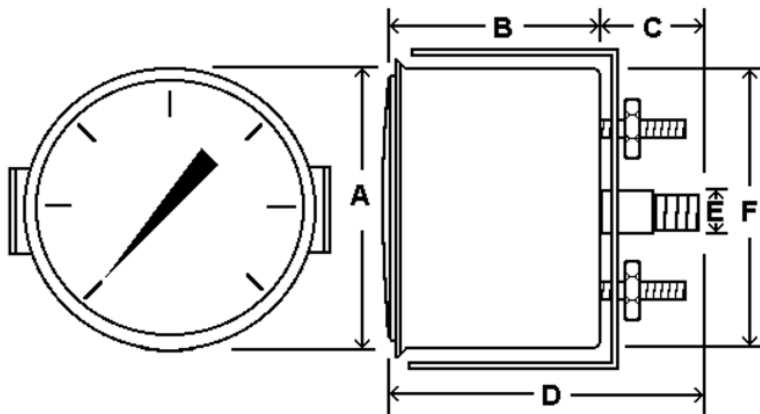
**KODIAK  
CONTROLS®  
INC.**

# KC25-UC Series Low Pressure Gauge

The KC25 series low pressure gauge is a capsule type gauge for accurate measurement of low pressures. These gauges are commonly used to measure air, water, natural gas, or other medias not corrosive to brass/bronze

## Specifications

- Dial Sizes:** 2.5"
- Case:** Chrome Plated Steel
- Wetted Parts:** Brass/Bronze
- Lens:** Polycarbonate
- Pointer:** Black Aluminum w/ Calibration Adjustment
- Connection:** Center Back w/ U-Clamp — 1/4" NPT
- Scale:** Standard: PSI or IWC (inches H2O)
- Accuracy:** 2-1-2%
- Temperature:** Dry: -30°F/180°F



	Unit	A	B	C	D	E	F
2.5" Dial	IN	2.84	1.61	0.88	3.45	1/4" NPT	2.60
	MM	72	41	22	88		66

## Options\*

- Custom Dials
- Special Connection Threads (BSP, SAE, etc.)
- Private Labeling
- Dual Scales

\*Lead times and minimum orders may apply

Example:  
**KC25-UC-5#**

IWC Ranges:	PSI Ranges:
10" H2O	3#
15" H2O	5#
30" H2O	10#
35" WC/20oz/in2	
60" H2O	IWC Vacuum Range:
100" H2O	30"-0 H2O VAC
160" H2O	60"-0 H2O VAC
200" H2O	100"-0 H2O VAC