



MediaGauge™ MG1-9V Digital Pressure Gauge

PRODUCT OVERVIEW

The MediaGauge™ model MG1-9V is a NEMA 4X rated stand alone 9V battery operated digital pressure gauge is a stand alone 9V battery operated multi-functional digital pressure gauge with a standard input pressure port made of 316L stainless steel which has better pitting corrosion resistance in some media, such as seawater. The MediaGauge™ MG1-9V is well suited for marine applications.

The MG1-9V digital pressure gauge contains a media isolated piezoresistive pressure sensing element, signal conditioning circuitry for temperature and calibration compensation, a pressure port and back lit LCD display. The MG1-9V has an accuracy of $\pm 1.0\%$ full scale and is a lower cost alternative in the SSI family of digital gauge products.

The MG1-9V comes standard with a variety of keypad operated functions; multiple pressure unit display readings (PSI, BAR, MPA); memory storage of maximum peak pressure reading and zero adjustment.

The MediaGauge™ MG1-9V is made of all laser-welded 316L stainless steel for optimal media isolation and usage in a wide variety of media and corrosion or oxidation resistant applications. These compact 2.5 inch, robust gauges measure pressures from 5 PSI to 5000 PSI and are well suited for a variety of industrial and commercial applications.

The MediaGauge™ MG1-9V digital pressure gauge has better accuracy, longer life and multiple standard functions which make it a better choice than mechanical pressure gauges.

FEATURES & BENEFITS

- Accuracy: $\pm 1.0\%$ full scale
- Pressure ranges from 5 to 5000 PSI
- Media isolated
- Multiple standard functions
- NIST certificates available
- NEMA 4X rated
- Battery power saver mode

TYPICAL APPLICATIONS

- General Purpose
- Test & Measurement
- Water Management
- Compressors
- Refrigeration
- Fuel Cells
- Pumps
- Hydraulics
- Spraying Systems
- Pneumatics
- Flow
- Robotics
- Agriculture
- Hydrogen Storage

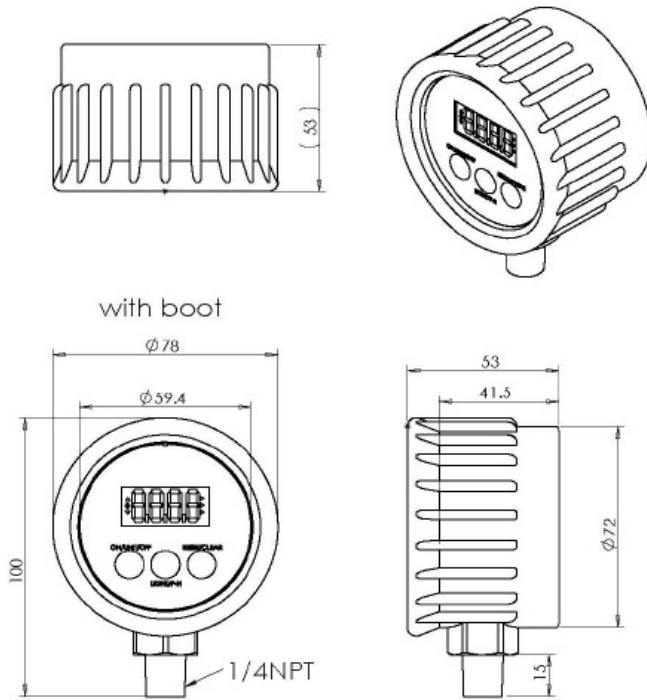


MG1-9V MediaGauge™ Digital Pressure Gauge

DISPLAY AND CASE SPECIFICATIONS	
View Angle	45 degrees (typical)
Backlight	Yellow-Green backlight
LCD display	4 Digits TN LCD
Character Height	11.5mm
Keypad Functions:	PSI, BAR, MPA, Peak Hold, Zero Adjustment
On / Unit / Off	Power on; Unit selection; Power off
Light / P-H	Turn the backlight on/off; Show PeakHold reading
Reset / Clear	Re-zero; Clear PeakHold reading
Engineering Units	PSI, BAR, MPA (PSI,Ft.Hd,MPA for MG1-9V-F)
Enclosure Material	2.5" with black ABS Thermoplastic case with rubber boot
Enclosure Rating	IP40
Leak Integrity	Leak rate less than 1×10^{-7} cc/sec helium@1 Atm
Protective Boot	Yes
Media Compatibility	Any gas or liquid chemically compatible to 304L and 316L
Connection	22 mm 1/4 - 18 NPT
ELECTRICAL AND PERFORMANCE SPECIFICATIONS	
Range	5, 30, 100, 200, 500, 1000, 3000, 5000 PSI
Accuracy (5-5000 psi)	± 1.0 % FS
Proof Pressure	2X Full Scale
Burst Pressure	3X Full Scale or 15,000 psi whichever is less
Battery	9V Battery
Battery Life	50 hours
Battery Saver Mode	5 minutes
Battery Life Indicaator	No
Response Time	< 1ms
Update Rate	4x per second
Stability	< 0.25% FS/Year (Typical)
Operating Temperature	-10°C to 60°C
Storage Temperature	-20°C to 70°C
ENVIRONMENTAL AND MECHANICAL SPECIFICATIONS	
Cycle Life	> 1.8 million cycles (0 to FS @ Hz and -20°C to 85°C)
Vibration	144 Hours (100 to 2000Hz, 20g sinusodial in 3 axis)
Shock	250 Cycles (85°C to -20°C, 0.5 soaks at temperature)
Torque Spec	150 lbs, ±1 lb
Agency Approvals	NEMA 4X, RoHS, REACH
NIST Certification	Available

MG1-9V MediaGauge™ Digital Pressure Gauge

DIMENSIONAL DRAWINGS



DIGITAL GAUGE
1/4NPT, BATTERY OPERATED

Specifications:
Power supply: 9V Battery
Working temperature: 0°C~50°C
Accuracy: ±1.0% F.S (@22~28°C)

Ordering Information: MG1/A-nnnn-aa-xxxx(-h)
nnnn : Pressure Range (psi) 5~5000

MG1: Liquid(Diaphragm)
MGA: Dry air(no Diaphragm)
aa : Port configuration
A:1/4NPT22HEX
(standard)
xxxx : Power Type
9V : Battery Power
h : Holster (option)

DIGITAL PRESSURE GAUGE ORDERING SYSTEM

PART #: MG1-500-A-9V-R

MG1	500	A	9V	R				
FAMILY	PRESSURE RANGES	PORT CONFIGURATION	POWER SOURCE	ROHS				
	<ul style="list-style-type: none"> • 30 • 100 • 200 • 500 • 1000 • 3000 • 5000 • 30/0 (hg) 	<table border="1"> <thead> <tr> <th>Hex</th> <th>Port</th> </tr> </thead> <tbody> <tr> <td>A 22mm</td> <td>1/4 - 18 NPT</td> </tr> </tbody> </table>	Hex	Port	A 22mm	1/4 - 18 NPT	9V Battery, Operated	All parts are RoHS compliant
Hex	Port							
A 22mm	1/4 - 18 NPT							

RUBBER BOOT OPTIONS

Protective Boot PN 24610.1



SSI Technologies, LLC

— an Amphenol Company —

SSI Technologies, LLC is a member of the Amphenol Sensor Technology Group (ASTG)

CONTACT

SSI Technologies, LLC

3200 Palmer Drive

Janesville, WI 53546

ssi-sensors.com

(608) 757-2000

WARRANTY

LIMITED WARRANTY: All SSI products are warranted against defective materials and workmanship for a period of one (1) year from the date of delivery to the original purchaser. Any product that is found to be defective within the one year period will be replaced at the discretion of SSI. **THIS WARRANTY IS IN LIEU OF ALL OTHER WARRANTIES, EXPRESS OR IMPLIED, OF MERCHANTABILITY, FITNESS FOR PARTICULAR PURPOSE, PERFORMANCE, OR OTHERWISE.** SSI is not an expert in the customer's technical field and therefore does not warrant the suitability of its products for the applications selected by the customer. SSI accepts no responsibility for misuse, misapplication or unauthorized modification of its products. **LIMITATION OF LIABILITY:** SSI's obligation under this limited warranty is strictly and exclusively limited to the repair or replacement free of charge of such articles as are found to be defective in material or workmanship on the condition that the purchaser gives prompt written notice to SSI of any claim to breach of warranty within the warranty period, and, if requested, returns the defective articles to SSI. SSI will not assume any expenses or liability for repairs made to its articles outside of its plant, without its prior written consent. SSI reserves the right to satisfy its warranty obligation in full, with respect to defective articles, by the payment to the purchaser of all sums paid by the purchaser to SSI for such articles. **IN NO EVENT SHALL SSI BE LIABLE FOR CLAIMS (BASED UPON BREACH OF EXPRESS OR IMPLIED WARRANTY, NEGLIGENCE OR OTHERWISE) FOR ANY DAMAGES, WHETHER DIRECT, IMMEDIATE, INCIDENTAL, FORESEEABLE, CONSEQUENTIAL, OR SPECIAL.**

TERMS & CONDITIONS

Please visit
www.ssi-sensors.com/contact/supplier-portal for information regarding the SSI Technologies, LLC Terms & Conditions.

NOTE

Specs are subject to change without notice.